

"S" LEVELING CAM, SET OF 4  
GG1-1001S-18

GG1 CAM TYPE GORILLA GRIP REPAIR PARTS, AND COMMON PARTS

NOTE, ALL PARTS THIS COLUMN ARE  
COMMON TO GG1 AND GG2

ROLLER NUT ASSEMBLY  
INCLUDES ROLLER WITH WASHERS,  
BEARINGS, ACME SHAFT, AND CONNECTING  
ROD.

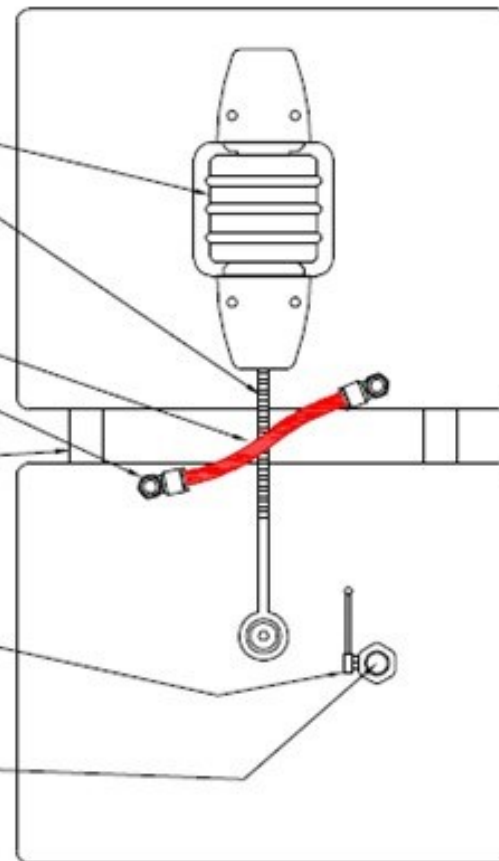
RED JUMPER HOSE  
PRT-90103-04, 4 PC SET

METAL ELBOW  
PUSH FIT TYPE  
PRT-90100-02, 2 PC SET

LINEAR BEARING SHAFTS  
THESE PRECISION GROUND SHAFTS GUIDE  
THE TWO PODS TOGETHER WITH PERFECT  
ALIGNMENT.

VACCUM VALVE  
SPECIAL VALVE WITH EXHAUST BLEEDER  
PORT ON THE SIDE  
PRT-90106-01, EACH

STRAIGHT QUICK CONNECT  
SCREWS INTO TOP OF THE VALVE AND  
PUMP MANIFOLD  
PRT-90101-04, 4 PC SET



GG1 PARTS NOT SHOWN.

115 VOLT VACUUM PUMP  
PRT-901115-01

BLUE COILED HOSE  
PRT-90102-01, EACH

PREPARED REPLACEMENT BOX  
GG1-10012-01, EACH

REPLACEMENT BOX TO REPLACE  
OLD GRAY BOX  
GG1-10013-01, EACH

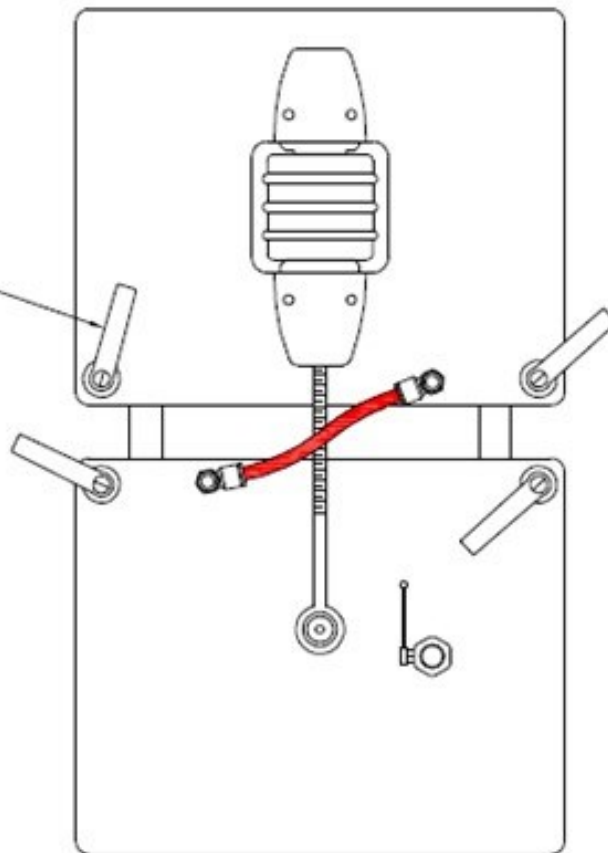
GG1 BOTTOM FULL REBUILD KIT  
GG1-1GKIT-18.  
KITS CONTAIN ALL GASKETS,  
FRICTION STRIP, FILTERS. ALL  
REPLACEABLE PARTS ON THE  
BOTTOM OF THE PADS

## GG2 CAMLESS TYPE GORILLA GRIP REPAIR PARTS

### NOTE

ALL PARTS ARE THE SAME AS THE GG1 EXCEPT AS NOTED

GG2 LEVELING ASSEMBLY. CONSISTING OF PAD, THREADED INSERT, JACK SCREW, AND KIPP HANDLE.  
GG1-10015-12, EACH



GG2.1 PARTS NOT SHOWN.

115 VOLT VACUUM PUMP  
PRT-901115-01

BLUE COILED HOSE  
PRT-90102-01, EACH

PREPARED REPLACEMENT BOX  
GG1-10012-01, EACH

REPLACEMENT BOX TO REPLACE  
OLD GRAY BOX  
GG1-10013-01, EACH

GG2.0 BOTTOM FULL REBUILD KIT  
GG2-1GKIT-18  
KITS CONTAIN ALL GASKETS,  
FRICTION STRIP, FILTERS. ALL  
REPLACEABLE PARTS ON THE  
BOTTOM OF THE PADS

OBSELETE PART  
GG1-10010-04



T O O L W O R K S

2/6/2019