

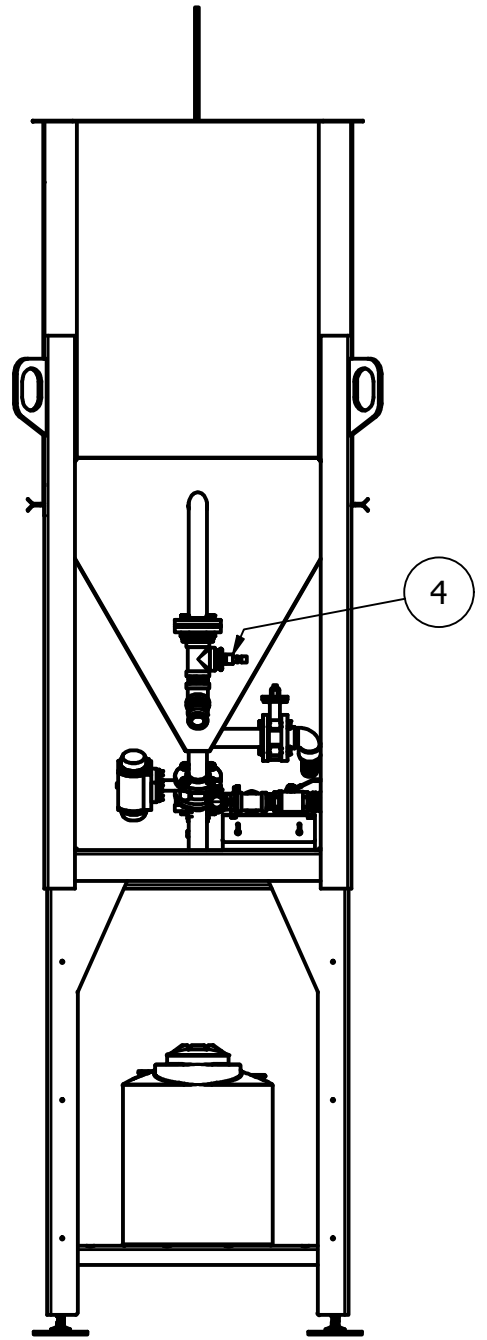
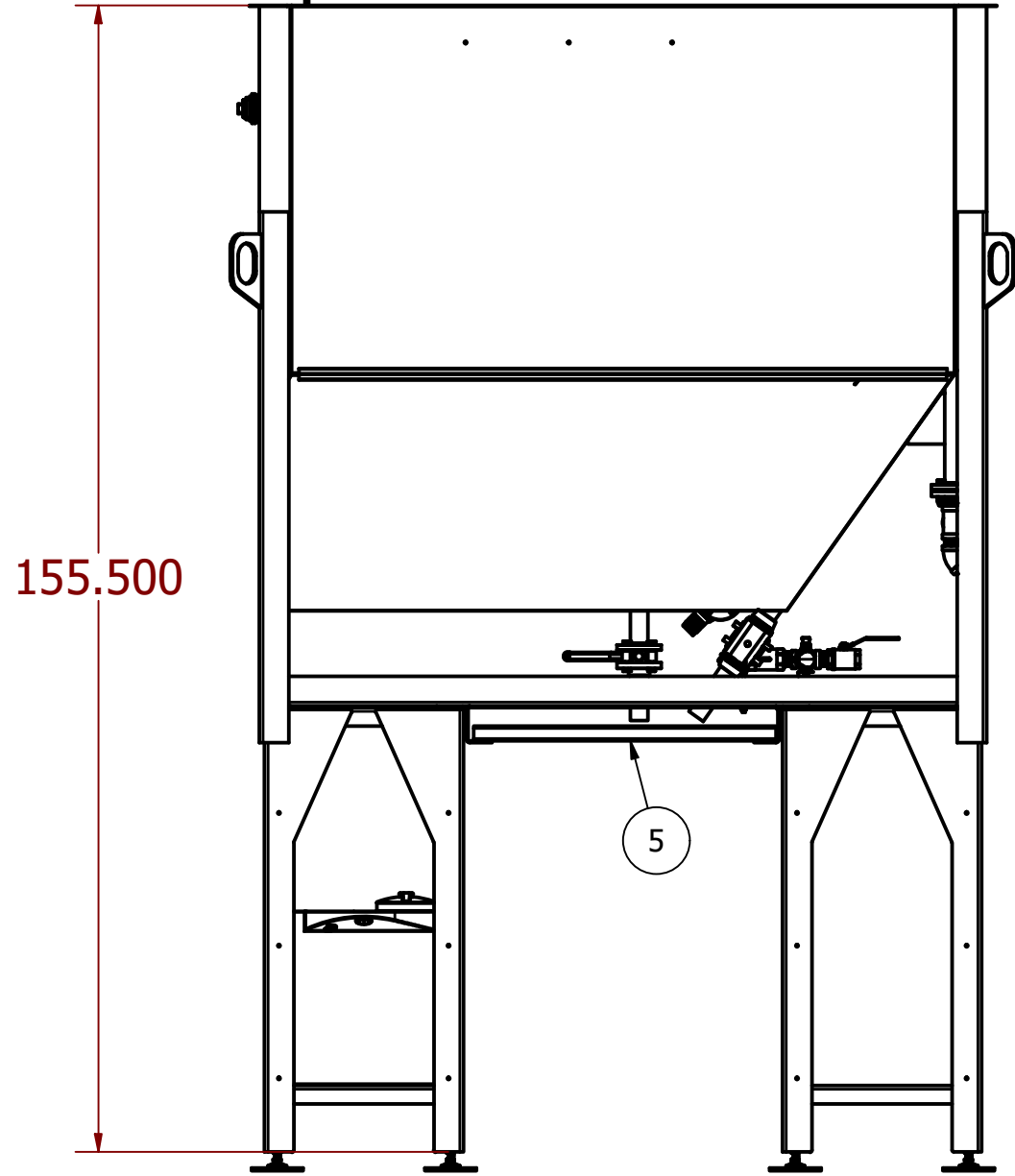
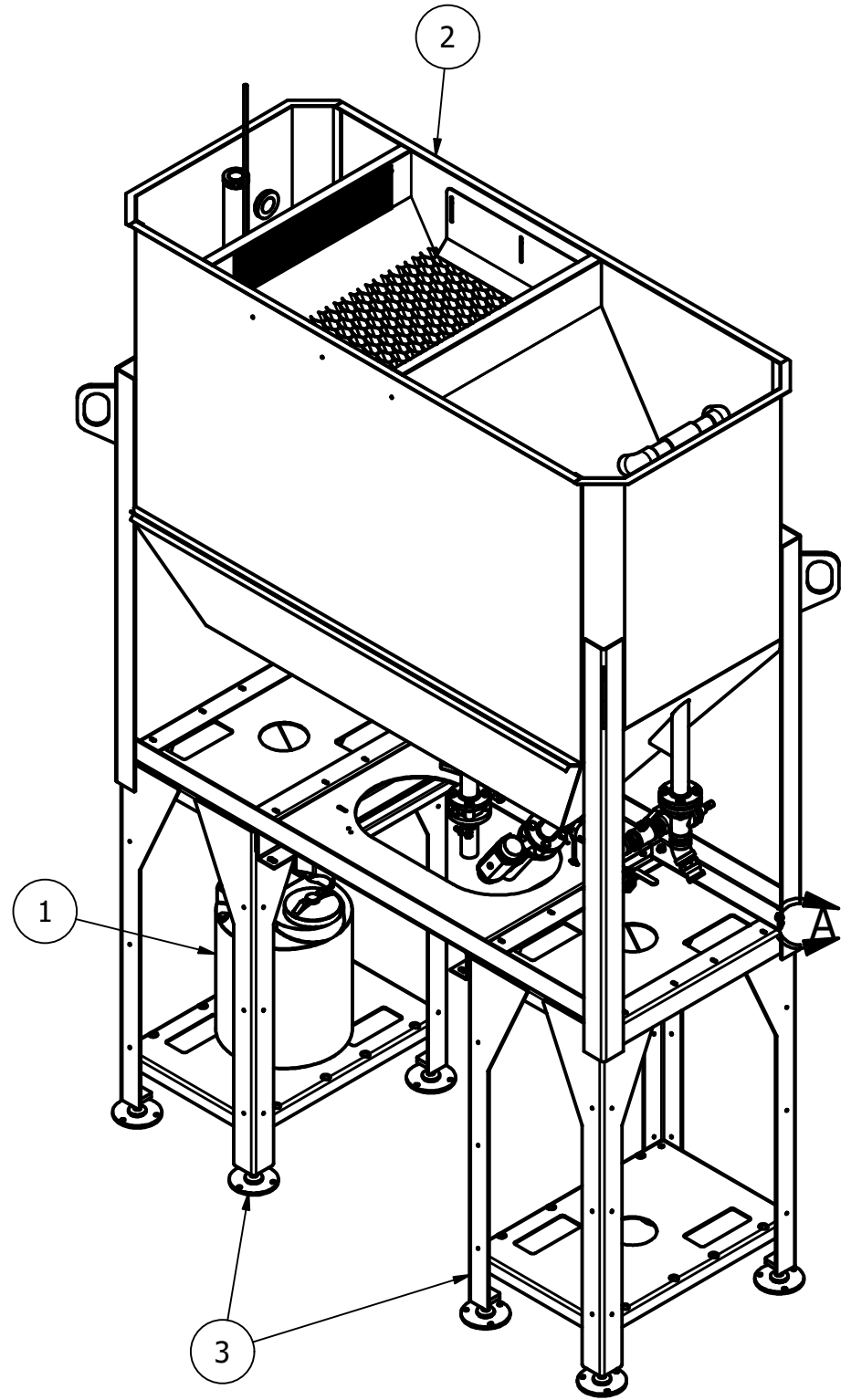
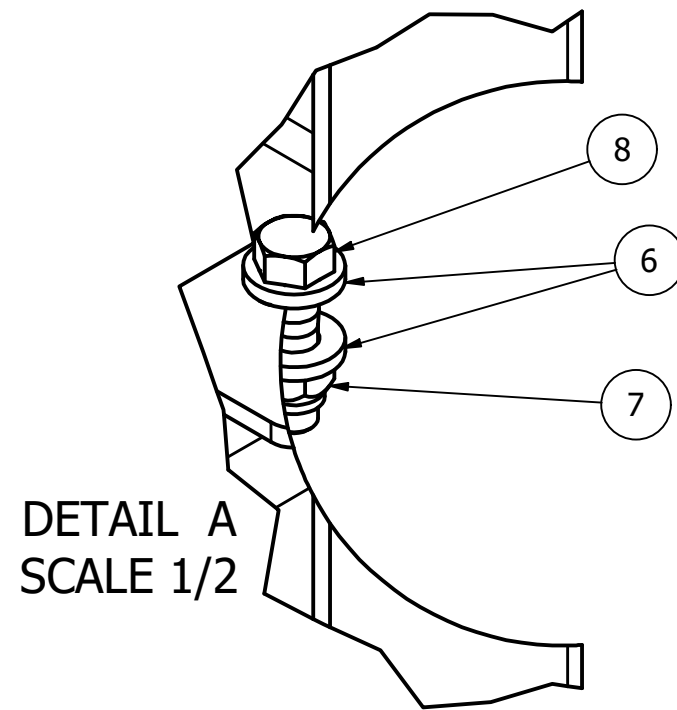
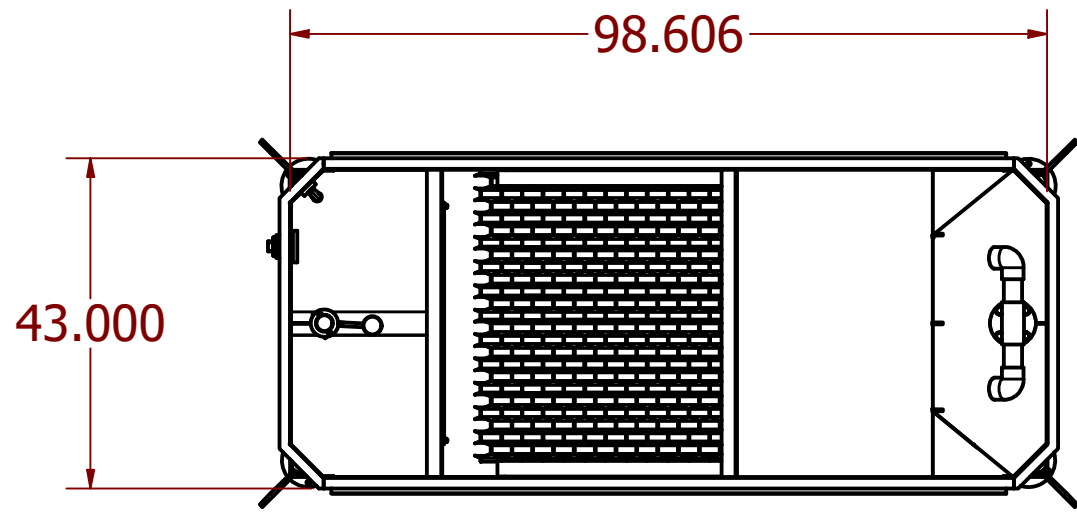
4

3

2

1

PARTS LIST			
ITEM	QTY	PART NUMBER	DESCRIPTION
1	1	3000439	CHEM TANK
2	1	3001371	Water Bear Tank Assembly Skid
3	2	3001372	WaterBear Legs Final
4	1	3001332	3/8" PVDF ACID INJECTION VALVE 3/8" HOSE CONNECTOR x 1/2" NPT
5	1	3001689	MUD BAG, RACK
6	16	ASTM F436 - 1/2, CW	Washer A
7	8	IFI 100/107 - 1/2 - 13 Metal Type	Prevailing Torque Type Hex Nut
8	8	ANSI/ASME B18.2.1 - 1/2-13 UNC - 2, HBI	Hex Bolt - UNC (Regular Thread - Inch)



TITLE: WaterBear Assembly Master			
PART #: 3001286		Rev: A	DATE: 5/27/2021
TOLERANCES		MATERIAL:	
2 PLACE: ± .03	3 PLACE: ± .015	DRAWN BY: Design1	MASS: N/A
FRAC: ± 1/32	ANGULAR: ± 1'	This material is the property of Pristine Environmental, LLC. It must not be copied, reproduced or it's contents disclosed without authorization.	
TOLERANCES UNLESS OTHERWISE SPECIFIED		SIZE: C	SCALE: 1 / 25
		SHEET: 1 OF 1	

4

3

2

1