



Assembly of Sinkits Undermount Sink Strap

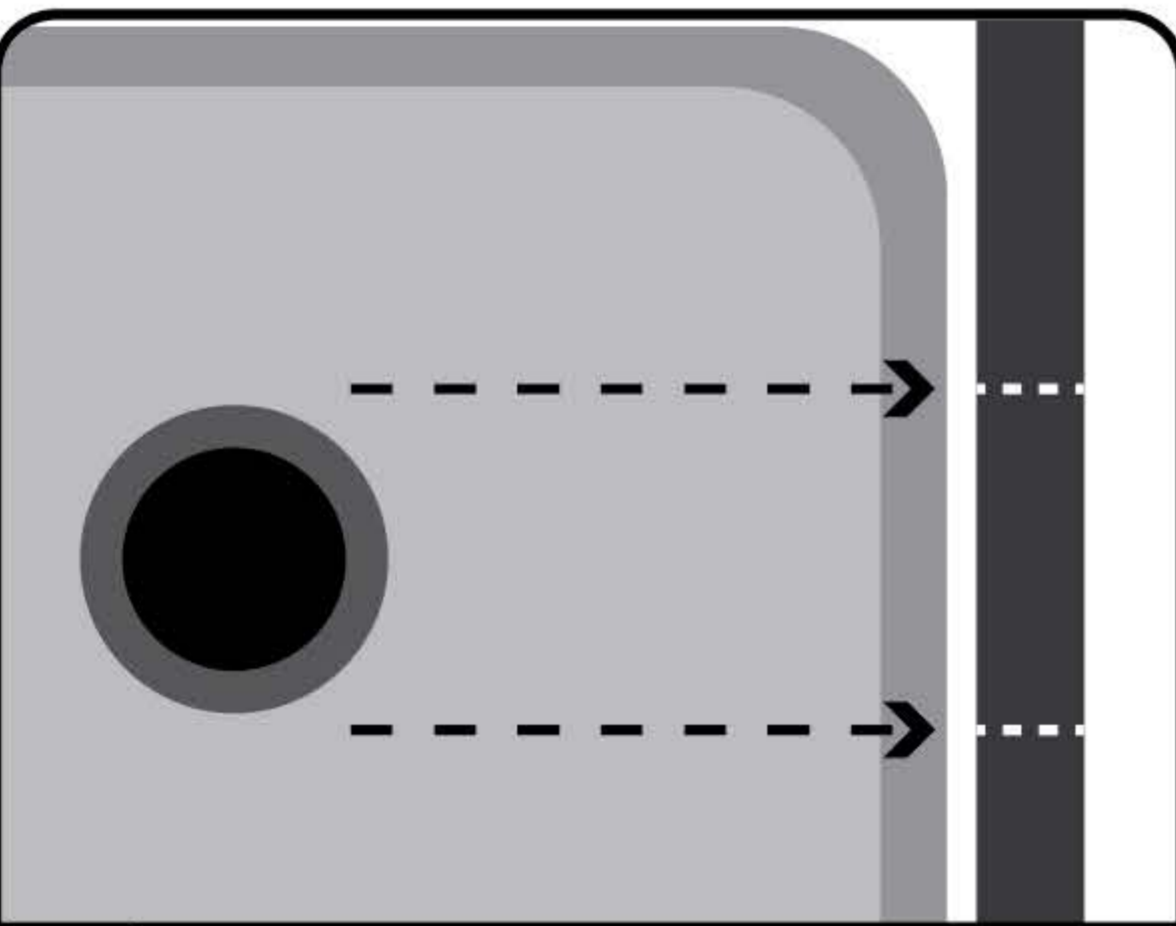
SAVE TIME AND MONEY!

Learn about all our products and watch installation videos at:

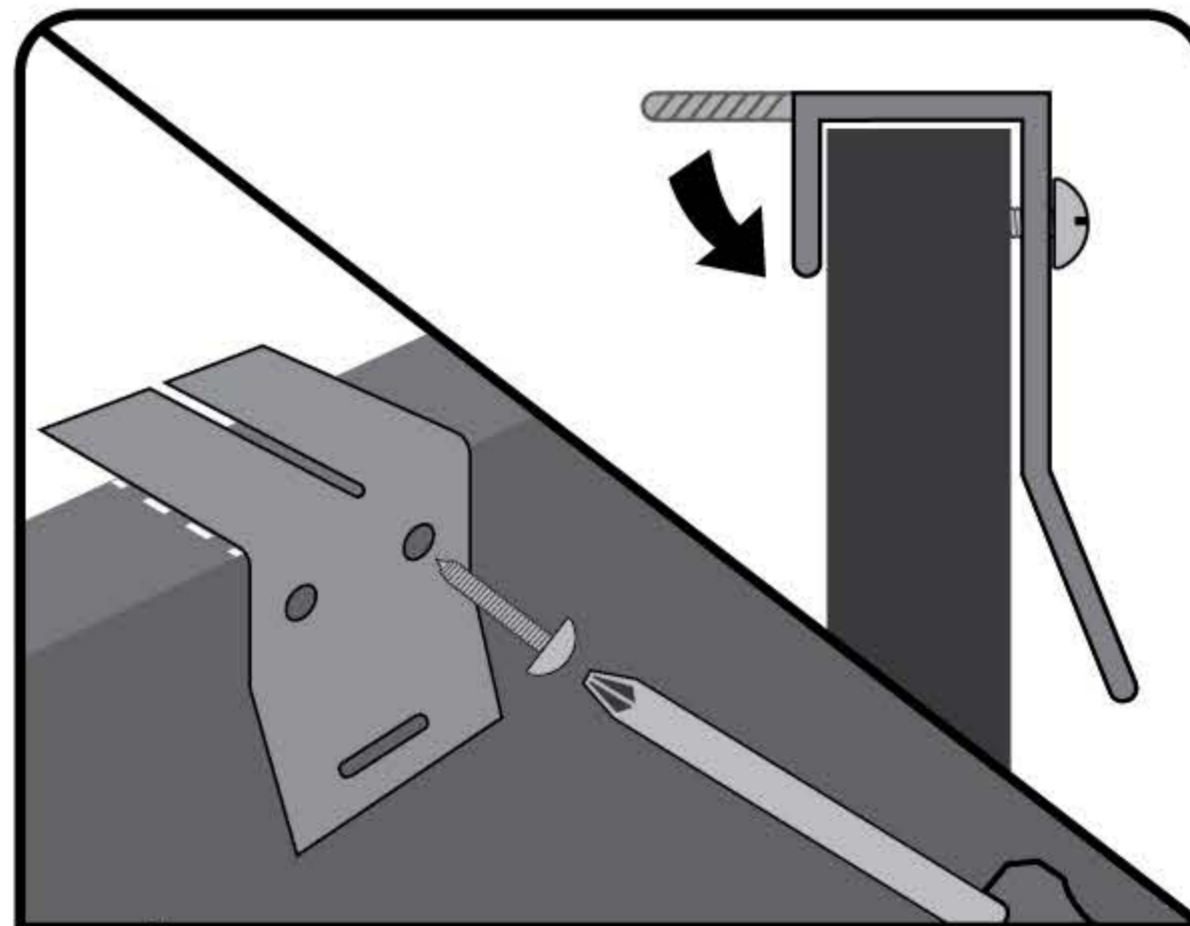
www.sinkits.com



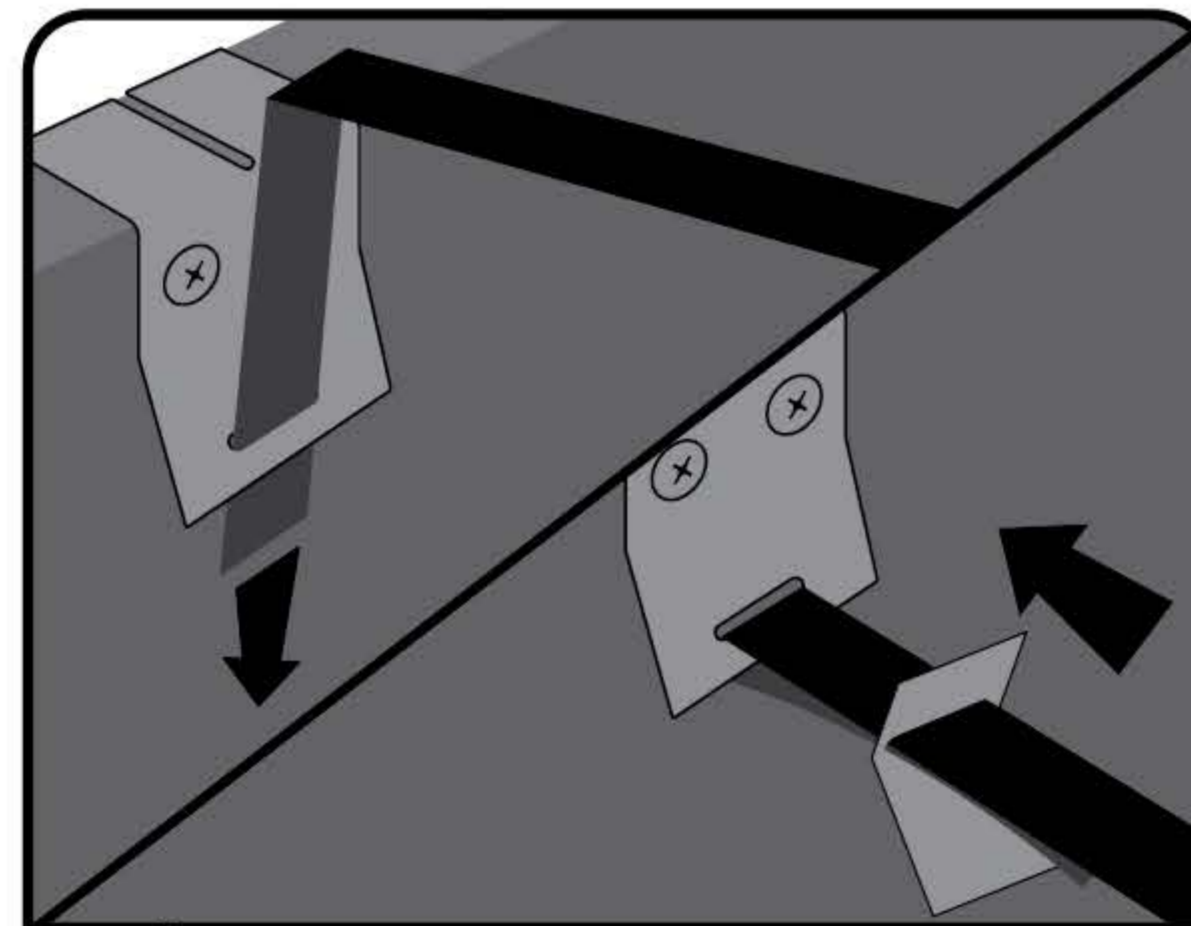
Sinkits Undermount Sink Strap Installation Instructions



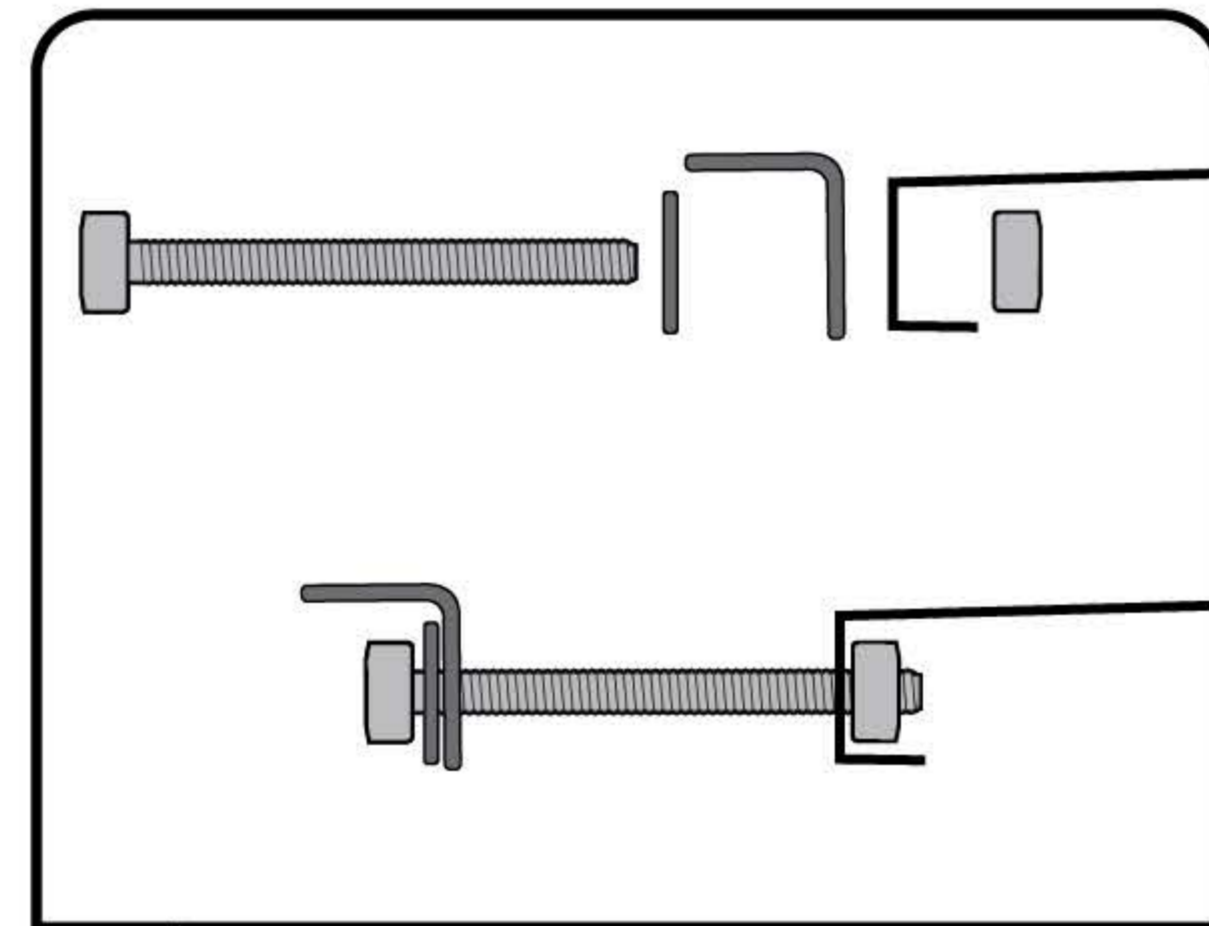
1 Locate and mark the bracket locations so the strap will be just in front or behind the sink drain.



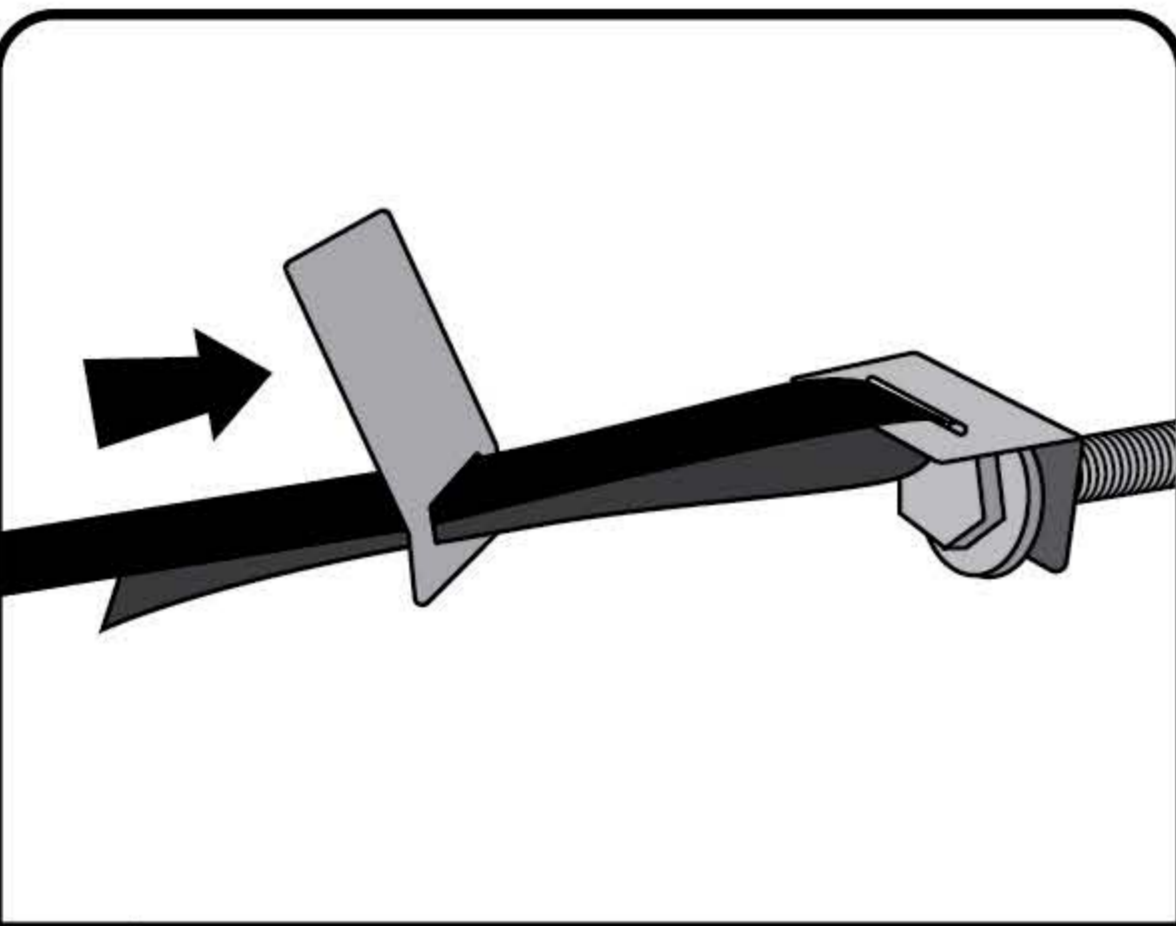
2 Install the mounting brackets with the provided screws. Bend the mounting tabs down over the cabinet divider for added strength.



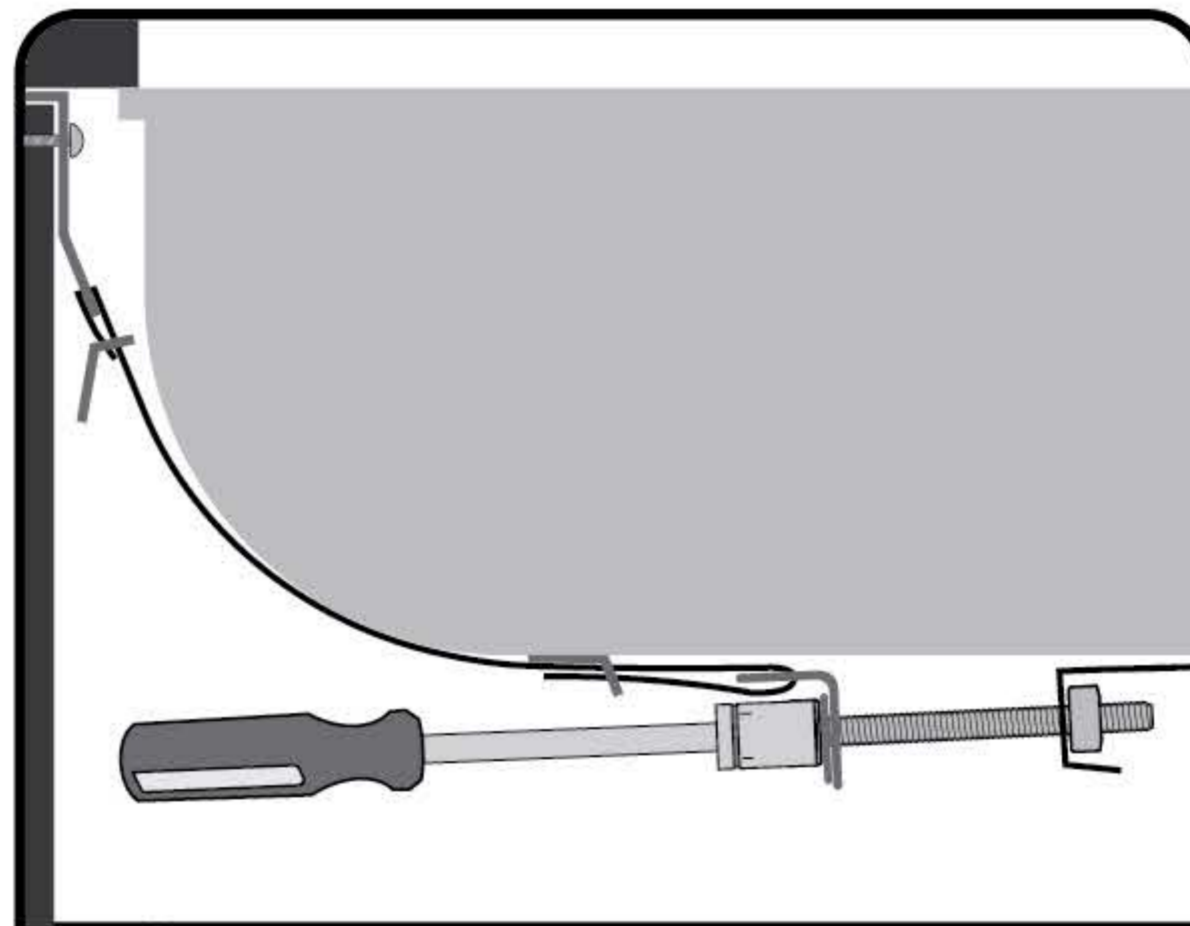
3 Insert the prebent strap ends into the mounting bracket slots, then slide the end through the retaining clip. Push the clip close to the bracket.



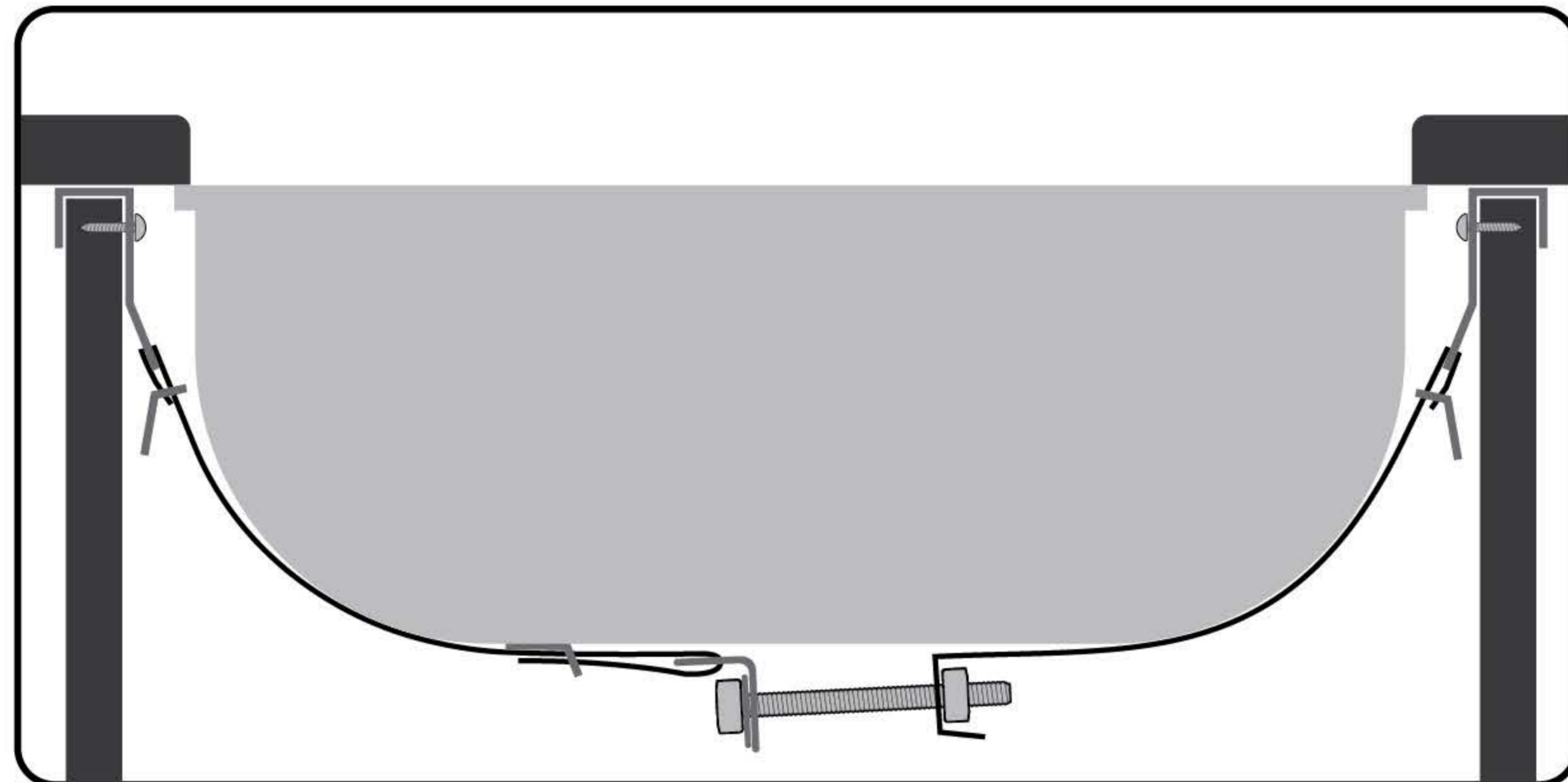
4 Assemble the tightening mechanism in the above manner.



5 Insert the loose strap into tightening mechanism slot, then slide through retaining clip, making sure to push the clip close to the mechanism.



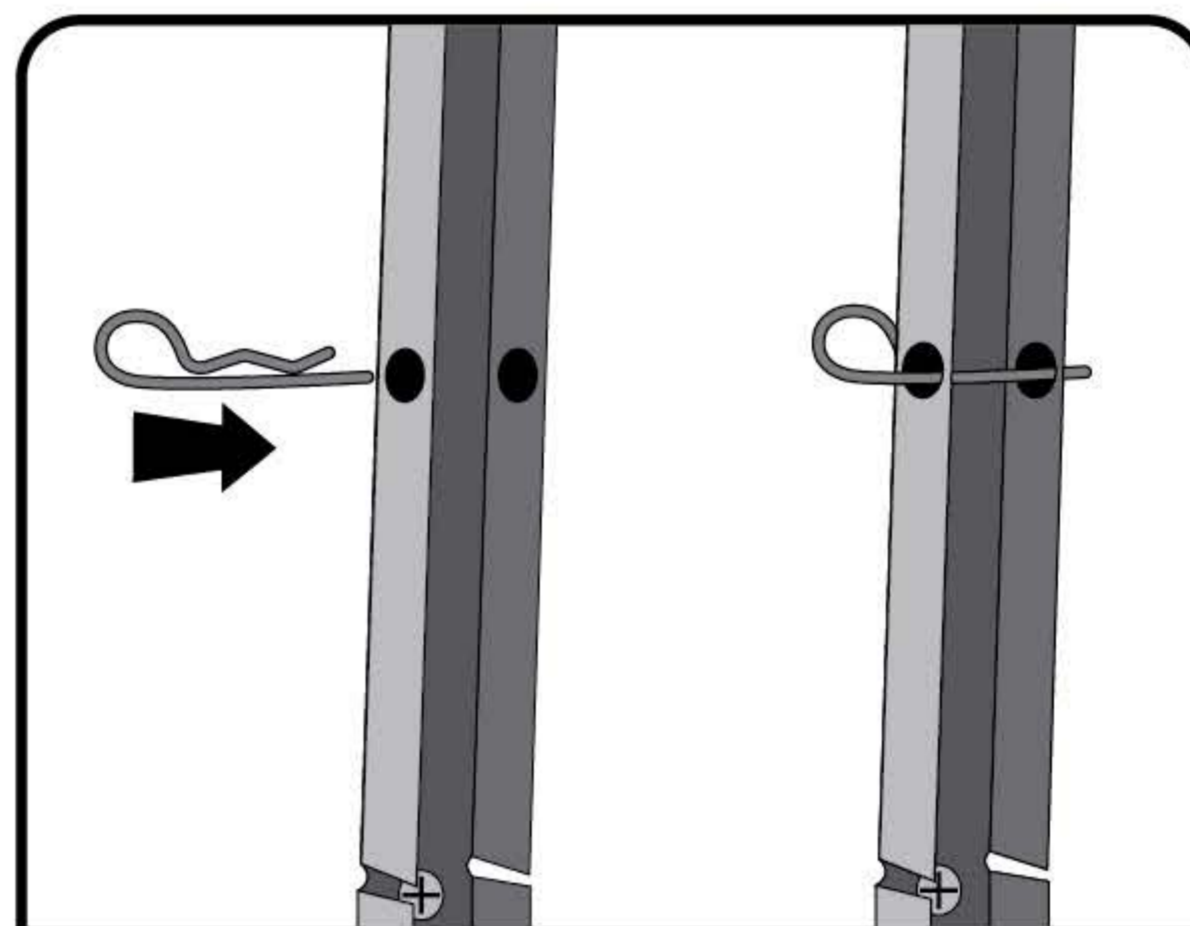
6 Tighten the adjustment bolt, being careful not to lift the countertop.



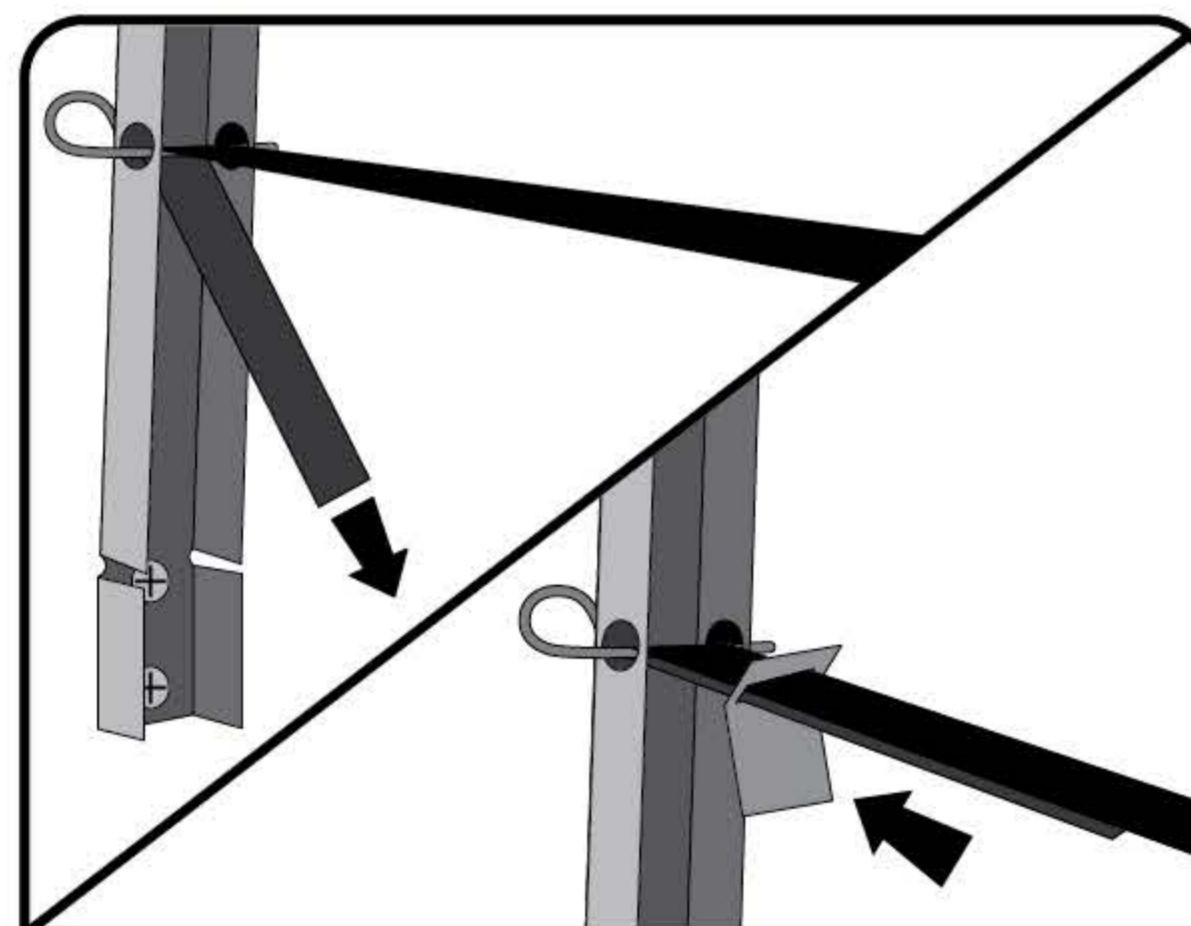
Sinkits Sink Strap with LC Bracket Instructions *(LC Bracket sold separately)*



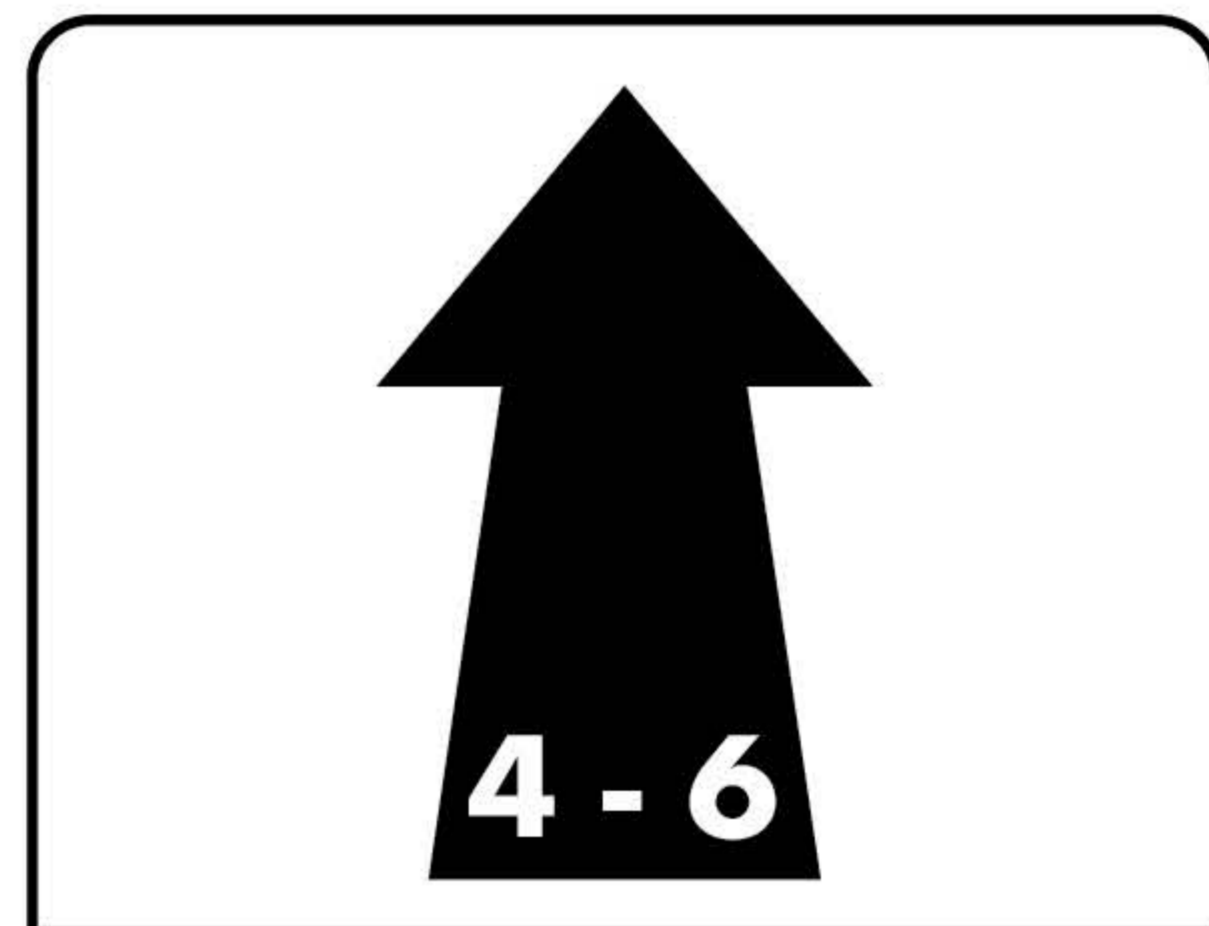
1 Install LC Brackets (sold separately)



2 Insert hitch pin clips as shown into the premade LC Bracket holes.



3 Mount the prebent strap ends over the hitch pin clips, then slide the end through the retaining clip. Push the clip close to the bracket.



4 Follow steps 4 - 6 above to finish installation.