



AARDWOLF SLAB LIFTER 50A

OWNER'S MANUAL**PRODUCT CODE: AL50A**

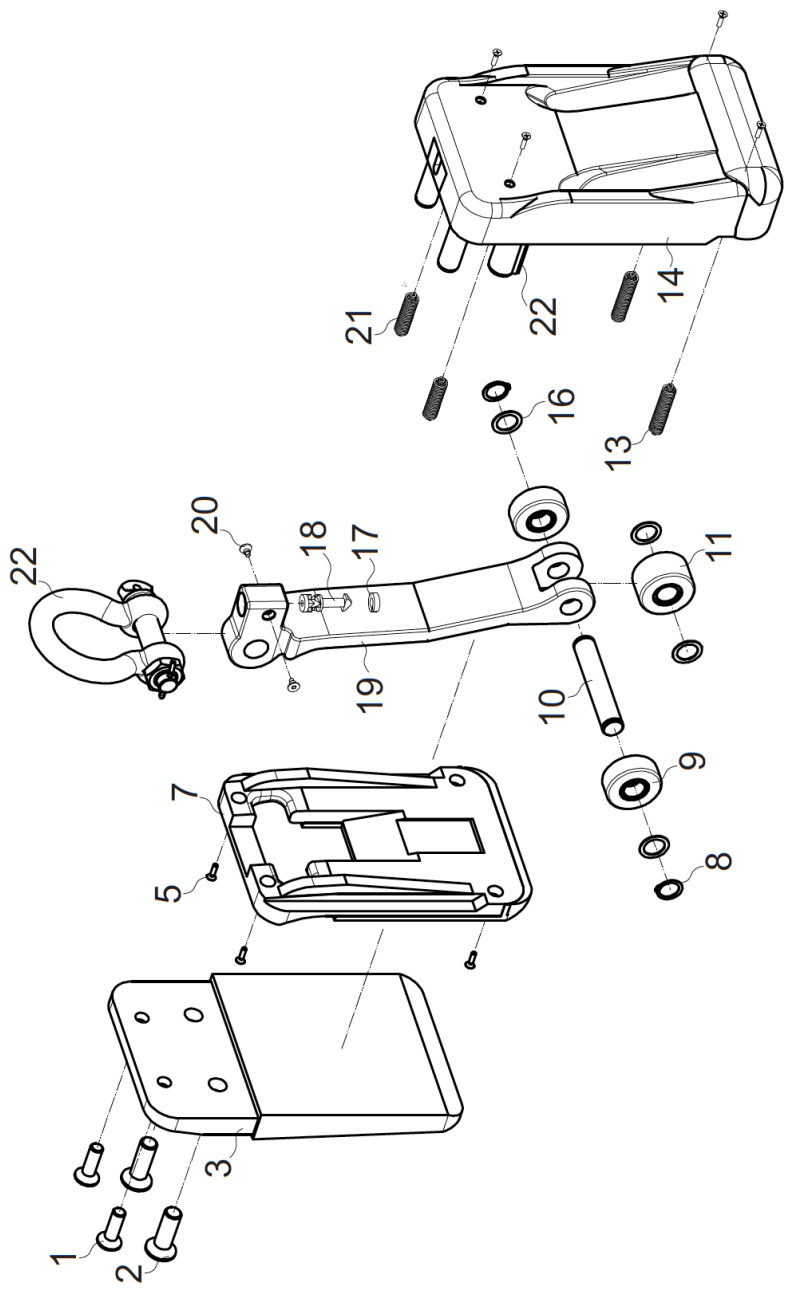
CONTENTS

PARTDRAWING ▶ **PARTLIST** ▶ **GENERAL** ▶ **SAFETY INSTRUCTIONS** ▶ **INSTRUCTIONS FOR USE**
INSPECTIONS, MAINTENANCE & REPAIR ▶ **TECHNICAL SPECIFICATION** ▶ **WARRANTY** ▶ **EXAMPLE**

Aardwolf offers a new version of its Invented Slab Lifting Clamps. The new Aardwolf Slab Lifter Automatic AL50A has an integrated auto-lock, unlock mechanism, which allows the clamp to automatically grip slabs on pick-up and release the slabs on set down. In many situations, this makes moving and handling of slabs safer and more convenient.



ASSEMBLY DIAGRAM



POSITION	DESCRIPTION	CODE	QTY
1	<i>Hexagon socket countersunk head screw M12x40</i>	AL50A-001	02
2	<i>Hexagon socket countersunk head screw M16x50</i>	AL50A-002	02
3	<i>Back plate</i>	AL50A-003	01
5	<i>Tapping screw M4x15</i>	AL50A-005	08
7	<i>Center sliding plate</i>	AL50A-007	01
8	<i>Circlips Ø20</i>	AL50A-008	02
9	<i>Outer pressure wheel</i>	AL50A-009	02
10	<i>Shaft</i>	AL50A-010	01
11	<i>Inner pressure wheel</i>	AL50A-011	01
12	<i>Rubber pieces</i>	AL50A-012	02
13	<i>Bottom extension spring</i>	AL50A-013	02
14	<i>Camplate</i>	AL50A-014	01
16	<i>Brass washer Ø20</i>	AL50A-016	04
17	<i>Plastic cap</i>	AL50A-017	01
18	<i>Locking pin</i>	AL50A-018	01
19	<i>Lifting pin</i>	AL50A-019	01
20	<i>Hexagon socket countersunk head screw M6x10</i>	AL50A-020	02
21	<i>Top extension spring</i>	AL50A-021	02
22	<i>Shackle</i>	AL50A-022	01

Update: July 7th, 2020



The Slab Lifter is a hoisting accessory for lifting and moving slab form loads with smooth surfaces. It can be used in and outside the factory.

Purpose of this Manual:

The purpose of this manual is to assist the operator in the correct use of the Slab Lifter, to provide information on the safe use of the Slab Lifter and to eliminate any risks that might be caused by the incorrect use of the Slab Lifter. The lifting clamp must be used only for the purpose for which it has been made, namely for lifting and moving slab form loads with smooth surfaces. Any other use is to be considered improper, and consequently, dangerous. The manufacture cannot be held responsible for any damage to people or things by improper, incorrect or unreasonable use of the machine

Introduction:

The Aardwolf Slab Lifter series is the equipment for lifting and moving of slab-form materials with smooth surfaces. The Aardwolf Slab Lifter incorporates a spring-loaded latch that automatically releases the lifter from the slab once the slab has been fully lowered to the ground. The operating process becomes simple by one man user's interaction only. And it can be used in and outside the factory.

Aardwolf is always upgrading of latest technologies for this product line to make the operating process becomes easier to lift and move of slabs safer and more convenient. Specially, the Aardwolf Slab Lifter Automatic allows the clamp to automatically grip slabs on pick-up and release the slabs on set down by auto-lock and un-lock mechanism. And If you are wondering how to lift and move safely and efficient thin sheets as engineered porcelain, glass and other thin ceramic sheets, the Aardwolf Slab Lifter AL30AWJ is the best solution for you. This lifter is not only providing a bigger surface of contact but also clamping force is tighter and safer.

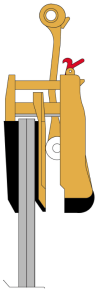
SAFETY INSTRUCTIONS

1. Carefully consider all safety regulations and existing standards and codes in your country for hoisting operations.
2. Permission to work with the Slab Lifter should only be given to people who are suitably trained, competent and acquainted with this operating manual and safety regulations.
3. Inspect clamp. If the clamp is worn or damaged, do not use it.
4. Select the proper size clamp for the job. Determine the weight of the slab to be lifted. Donot exceed the working load limit shown on the clamp. Slab thickness must be within the grip range specified by the manufacture.



5. Do a risk assessment of the material that is being lifted. The slab must be free of fractures and other defects that may cause the slab to fall apart while being lifted.
6. All personnel must stand clear of the load while it is being lifted or moved.
7. The grip depends on friction. Check that the rubber pads are free from dirt, grease and other substances that may reduce their effectiveness.
8. Do not lift wet slabs. The grip depends on friction. Lifting wet slabs may cause the rubber pads to lose their grip.
9. The Aardwolf Slab Lifter Automatic 50A will safety hoist 2 slabs together. However, when lifting more than one slab, the slabs must be tightly combined into one unit.

Note:



Dual Slab Lifting:

- If polished, the polished surfaces must face in towards each other.
- The slabs must be the same height and width.
- There must be no other material or rubbish between the slabs.
- The combined weight of the slabs must not exceed 1200 kgs (2,646 lbs).

10. Position the clamp so that it is square with the slab to be lifted, and in the center of the slab so that the load is balanced.
11. Make sure that the slab is inserted to the full depth into the opening of the clamp.
12. Take up slack slowly. A trial tensioning of the load will usually indicate proper balance.
13. Do not lower the clamp onto other slabs or material while lowering the slab into racks, as the clamp will release its load. Important! In order to protect people from getting injured it is important to follow some general safety directions while using hoisting accessories.
14. Read the operation manual carefully before you use hoisting accessories.
15. Make sure that the operation manual is always available at the place where the hoisting accessories are used.
16. Give permission to work with hoisting accessories only to people who are suitably trained and competent.
17. Wear safety equipment, like the helmet, gloves and safety boots.
18. Never leave a lifted load unsupervised.
19. Lift a load only as much as is really necessary.
20. Do not get underneath the load and do not permit others to do so.
21. Connections or individual parts of hoisting accessories should never be able to loosen by themselves.



SAFETY INSTRUCTIONS

22. Hoisting accessories must be stored in a place where they are protected against weather conditions and aggressive substances.
23. Defect hoisting accessories are no longer to be used.
24. Repairs and checks are to be made only by qualified people.

INSTRUCTIONS FOR USE

1. Operating personnel must stand so that they always have a full view of raising/ lowering movements of the lifting equipment and its load.
2. Move the top of the slab out from the pack of slabs by using a pinch bar and wedge, allowing enough room for the backplate of the clamp to pass between slab and pack of slabs. Do not move the top of the slab pass center of balance, keep the slab in an inclined position.
3. Position the clamp squarely and in the center of the slab so that the load is balanced.
4. Make sure that the slab is inserted full depth into the opening of the clamp.
5. Release the locking latch so that the jaws will lock onto the slab when the lifting cable is raised.
6. For the Aardwolf Slab Lifter Automatic: Is integrated an auto-lock, unlock Automatic mechanism which allows the clamp to automatically grip the slabs on pick-up and release the slabs on set down easier and safer.
7. Lift the slab slowly to ensure the load is balanced.
8. Warning! Before lowering the load, make sure that there are no obstructions that the load or the clamp could unintentionally rest on. In this event, the clamp can drop the load.

IMPORTANT: Carefully observe the Safety instructions supplied with the lifting clamp.

INSPECTIONS - MAINTENANCE & REPAIR

It is important to establish a regular procedure for clamp inspection. The frequency of inspection will depend upon the amount of use the clamp receives. You may wish to maintain a written record, indicating inspection dates, condition of the clamp on each of those dates and any repairs made. Inspection records should be reviewed periodically. Always use original spare parts when carrying out repairs or maintenance.



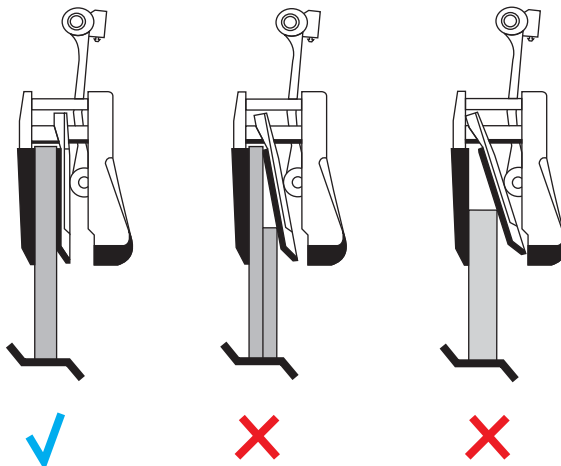
MODEL	GRIP RANGE	W.L.L	NET WEIGHT
AL50A	10 - 50 MM	1200 KG	19 KG

WARRANTY

1. At the time of delivery it is necessary to check that the clamp has not been damaged during shipment. Any claims must be presented within eight days of the date delivery of the product.
2. We grant you 24 months warranty on the Aardwolf Slab Lifter countered from the date of purchase.
3. The warranty coverage is not applicable:
 - The clamp is handled incorrectly during manoeuvring.
 - The operator fails to comply with the instructions in this booklet.
 - The clamp's maximum permissible capacity is exceeded.
 - The specifications for slab thickness are not followed.
 - Damages are due to inadequate maintenance and inspections.
 - Damage is due to improper storage.
 - Repairs were performed by the user without our permission.
 - Non-original spare parts were used.

EXAMPLE

Correct and incorrect method of gripping slabs





VIETNAM

AARDWOLF VIETNAM

- 📍 1B, An Phu, Thuan An, Binh Duong, Vietnam.
- ☎ +84 274 371 2827438/39
- ✉ sales@aardwolf.com.vn
- 🌐 www.aardwolf.com.vn

AUSTRALIA

AARDWOLF AUSTRALIA

- 📍 Unit 1, 5 Stanton Road, Seven Hills NSW 2147 Australia.
- ☎ +0422 916 907
- ✉ enquiries@aardwolfaustralia.com
- 🌐 www.aardwolfaustralia.com

GERMANY

STONE GLASS EQUIPMENT UG

- 📍 Am Gutsteich 11, 08451 Crimmitschau/ Blankenhain, Germany.
- ☎ +49 366 0821 9236
- ✉ sales@aardwolf.com.de
- 🌐 www.aardwolf.com.de

INDIA

AARDWOLF KISHANGARH

- 📍 Harmara Road, Industrial Area, Madanganj, Kishangarh, Rajasthan India / Pin no. 305801
- ☎ Tel: +91 93584 48474
- ✉ sales@aardwolf.co.in
- 🌐 Web: www.aardwolf.co.in

AARDWOLF BENGALURU

- 📍 No: 6, Sharma Complex, 3rd Cross, Ganesha Block, Dinnur Main Road, R. T. Nagar P.O Bengaluru-560032
- ☎ +91 98451 62959/ 91 99017 24600
- ✉ bengaluru@aardwolf.co.in
- 🌐 www.aardwolf.co.in

AARDWOLF MUMBAI

- ☎ +91 97659 06007
- ✉ mumbai@aardwolf.co.in
- 🌐 www.aardwolf.co.in

