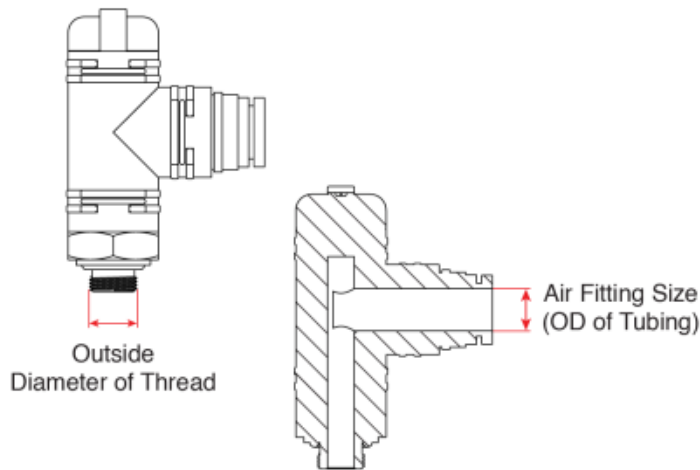


HOW TO MEASURE:

Combo Valve - Angled



1/8" BSP = 0.383" \approx 3/8"

1/4" BSP = 0.518" \approx 1/2"

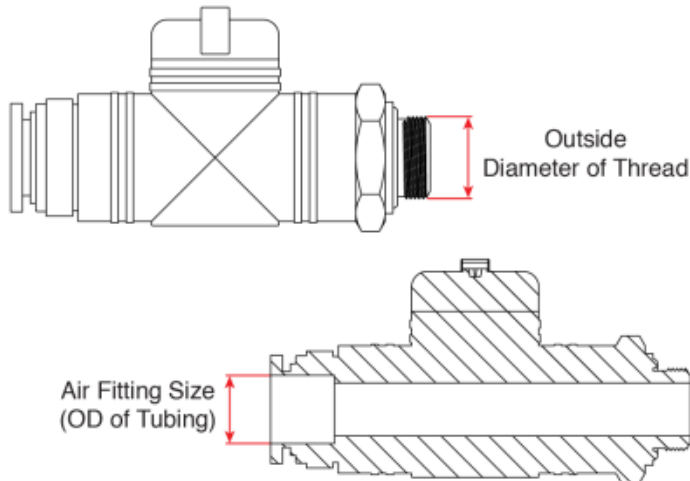
3/8" BSP = 0.656" \approx 5/8"

1/2" BSP = 0.825" \approx 13/16"

The air fitting size is the outside diameter of the tubing that you are using.

HOW TO MEASURE:

Combo Valve - Straight



1/8" BSP = 0.383" \approx 3/8"

1/4" BSP = 0.518" \approx 1/2"

3/8" BSP = 0.656" \approx 5/8"

1/2" BSP = 0.825" \approx 13/16"

The air fitting size is the outside diameter of the tubing that you are using.