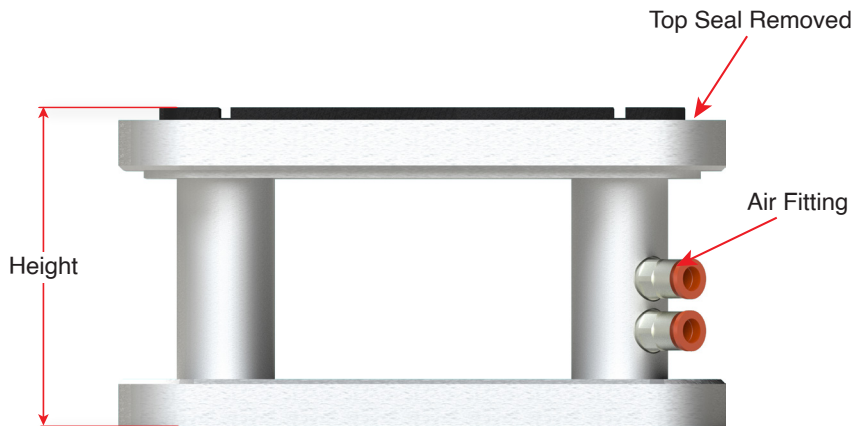


HOW TO MEASURE:

Suction Cup Heights



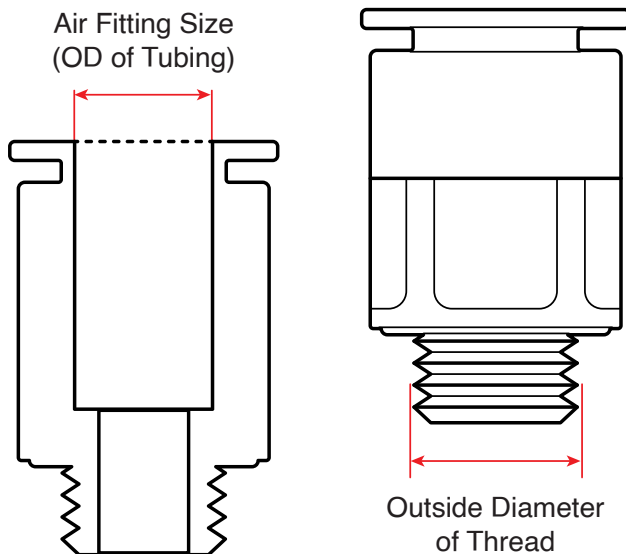
When ordering suction cups, we'll need to know what height you need, and what air fitting size you are using.

The height is defined as the distance from the aluminum base of the suction cup to the top of the hard rubber bearing surface on top of the suction cup. It is important not to include the top seal in the measurement.

To obtain precision height measurements, the suction cup must be held down to a flat surface by vacuum (using its own base) and the top of the hard rubber bearing surface must be measured using a height gauge. Since most fabricators do not have this equipment, we recommend sending a sample to us to be measured.

HOW TO MEASURE:

Air Fittings



1/8" BSP = 0.383" ≈ 3/8"

1/4" BSP = 0.518" ≈ 1/2"

3/8" BSP = 0.656" ≈ 5/8"

1/2" BSP = 0.825" ≈ 13/16"

The air fitting size is the outside diameter of the tubing that you are using.