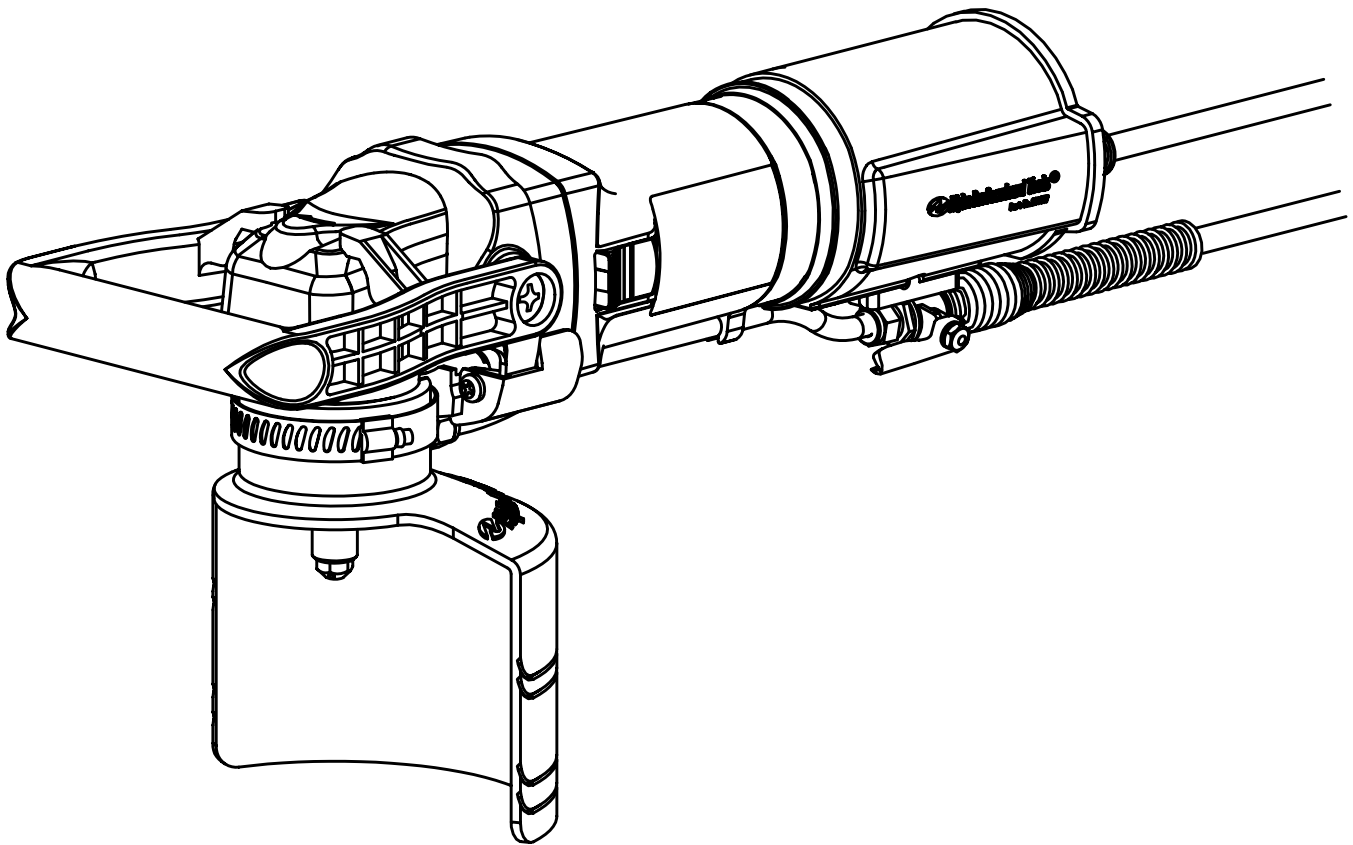


Alpha[®] Variable Speed Wet Polisher Instruction Manual



Model No.: VSP-320

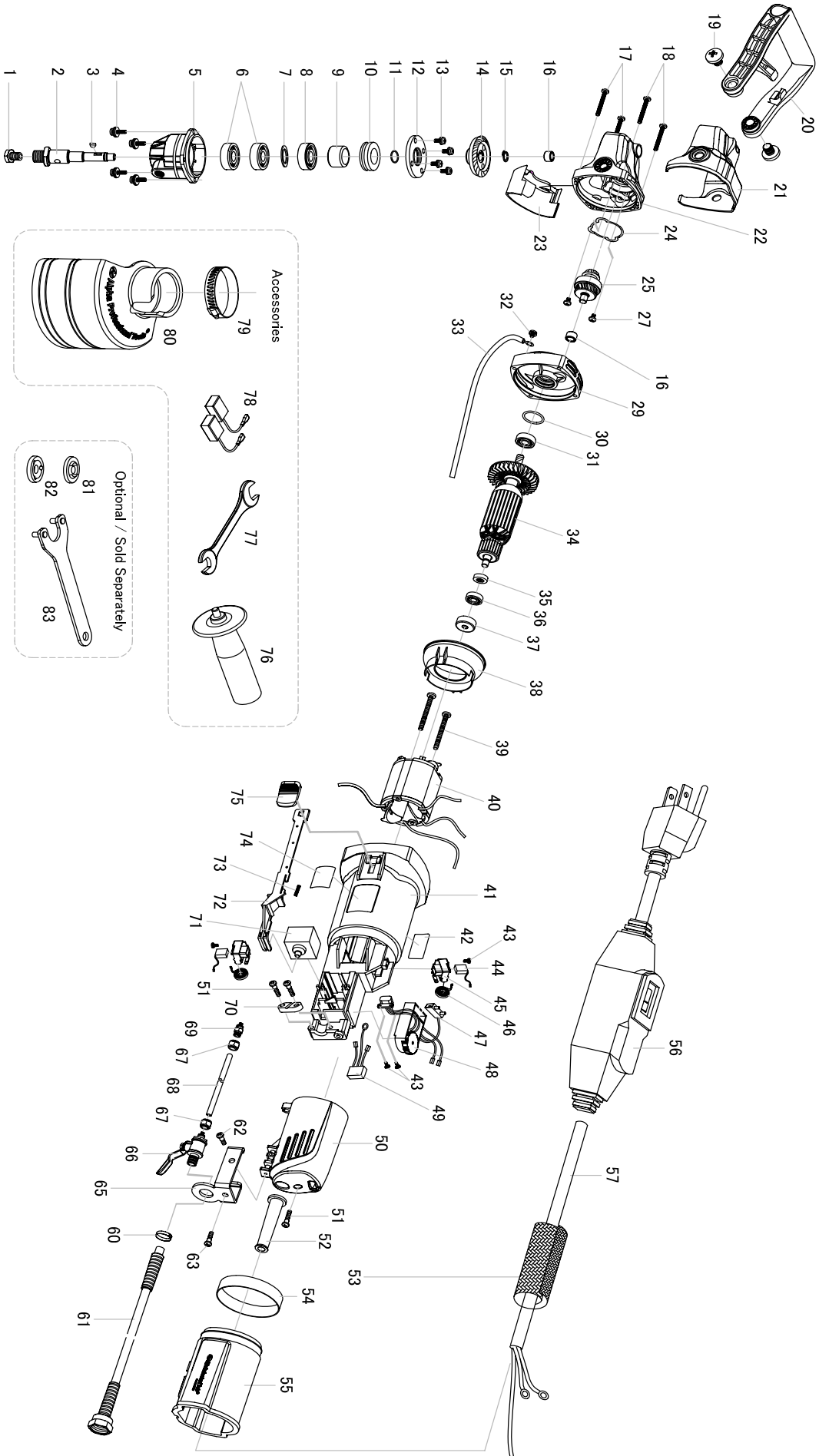
Version 1

WARNING: To reduce the risk of injury, user must read and understand instruction manual!

 **Alpha Professional Tools[®]**

103 Bauer Drive, Oakland, NJ 07436 • 800-648-7229 • Fax: 800-286-0114
www.alpha-tools.com

ALPHA® VSP-320 SCHEMATIC



ALPHA® VSP-320 PARTS LIST

DRAWING NO.	PART NO.	DESCRIPTION	QUANTITY
1	210004	Shower Bolt	1
2	210109	Output Shaft (5/8"-11 UNC)	1
3	210006	Key (3x10)	1
4	210111	Combination Screw M4x14	4
5	210090	Gear Case Cover	1
6	210008	Oil lip seal B16x28x7D	2
7	210009	Bearing Washer	1
8	210010	Ball Bearing 6201	1
9	210011	Gear Washer	1
10	210012	Thrust Bearing 15x28x6	1
11	210112	O-Ring (15x2.65)	1
12	210013	Bearing Clamp	1
13	210113	Combination Screw M5x16	4
14	210114	Gear	1
15	210018	C-clip for shaft 10	1
16	210019	Oil-impregnated Bearing 8x12x8	2
17	210021	Self-tapping Screw 4.2x45	2
18	210115	Self-tapping Screw 4.2x40	2
19	210023	Screw M10x20	2
20	210024	C-handle	1
21	210134	Case Plastic Cover	1
22	210027	Gear Case	1
23	210076	Dash Panel	1
24	210116	Sealing Ring	1
25	210117	Pinion Gear Sub Assembly	1
27	210033	Screw M4x8	2
29	210118	Bearing Retainer	1
30	210035	O-Ring (21.2x1.8)	1
31	210036	Ball Bearing 608	1
32	210119	Combination Screw M4x8	1
33	210120	Wire Lead (Circular lugs 4#)	1
34	210121	Armature 120V	1
35	210095	Magnetic Ring	1
36	210038	Ball Bearing 607	1
37	210039	Rubber Bearing Seat	1
38	210106	Wind Shield	1
39	210041	Self-tapping Screw 4.2x70	2
40	210122	Field Coil 120V	1
41	210091	Field Coil Case	1
42	210123	Data Label	1

ALPHA® VSP-320 PARTS LIST (CONT'D)

DRAWING NO.	PART NO.	DESCRIPTION	QUANTITY
43	210049	SST Self-tapping Screw 2.9×8	4
44	210048	Carbon Brush 120V Set	1
45	210046	Carbon Brush Holder	2
46	210047	Coil Spring	2
47	210094	Terminal Block	1
48	210135	Speed pot w/Feed-back sensor 120V	1
50	210053	Rear Cover	1
51	210054	Self-tapping Screw 4.2×14	3
52	210055	Cord Jacket	1
53	210124	Memory Wrap (1m)	1
54	210108	Rubber Band	1
55	210107	Ventilation Cap	1
56	210125	GFCI 120V	1
57	210126	Power Supply Cord	1
60	210128	Lock Washer 3/8"	1
61	210129	Water Hose Assembly (15ft./5m)	1
63	210078	Self-tapping Screw 4.2×10	2
65	210063	Water Valve Bracket	1
66	210064	Water Valve Assembly	1
67	210132	Nut M10	2
68	210065	Water Hose 6mm ODx8in (20cm)	1
69	210067	Outlet Tap	1
70	210066	Cord Clamp	1
71	210068	Switch	1
72	210070	Switch Push Lever	1
73	210069	Back Moving Spring	1
74	210133	Brand Label	1
75	210071	Switch Push Button	1
76	210074	Side Handle	1
77	210110	Open End Wrench (19mm)	1
78	210048	Spare Set of Carbon Brushes	1
79	210088	Band Clamp 40-63	1
80	210089	Splash Guard	1
OPTIONAL/SOLD SEPARATELY			
81	110301	Flange (5/8"-11) for Variable Drive	1
82	210301	Locknut (5/8"-11) for Variable Drive	1
83	210105	Pin Wrench	1