

- 1 - 250-600 Kg SUSPENSION
- 2 - INTERNAL ROTATION RING
- 3 - ROTATION LEVER
- 4 - SUPPORTING TUBE
- 5 - M8x70 UNI 5931 - 8.8 ALLEN SCREW
- 6 - 20 DIN 582 EYEBOLT
- 7 - M20x75 UNI 5737 - 8.8 HEX-HEAD SCREW
- 8 - 21x37 UNI 6592 FLAT WASHER
- 9 - 4x40 UNI 6873 ELASTIC PIN
- 10D- RIGHT SUCTION PLATE
- 10S- LEFT SUCTION PLATE
- 11 - THICKNESS HANDLE 8 MM
- 12 - THICKNESS HANDLE 5 MM
- 13 - PNEUMATIC CYLINDER
- 14 - M20x100 UNI 5737 - 8.8 HEX-HEAD SCREW
- 15 - M20 UNI 7473 SELF-LOCKING NUT
- 16 - MANEUVERING HANDLE
- 17 - M8x45 UNI 5931 - 8.8 ALLEN SCREW
- 18 - 8.4x17 UNI 6592 FLAT WASHER
- 19 - M8 UNI 7473 SELF-LOCKING NUT
- 20 - M10x20 UNI 5931 - 8.8 ALLEN SCREW
- 21 - M10 UNI 5587 NUT

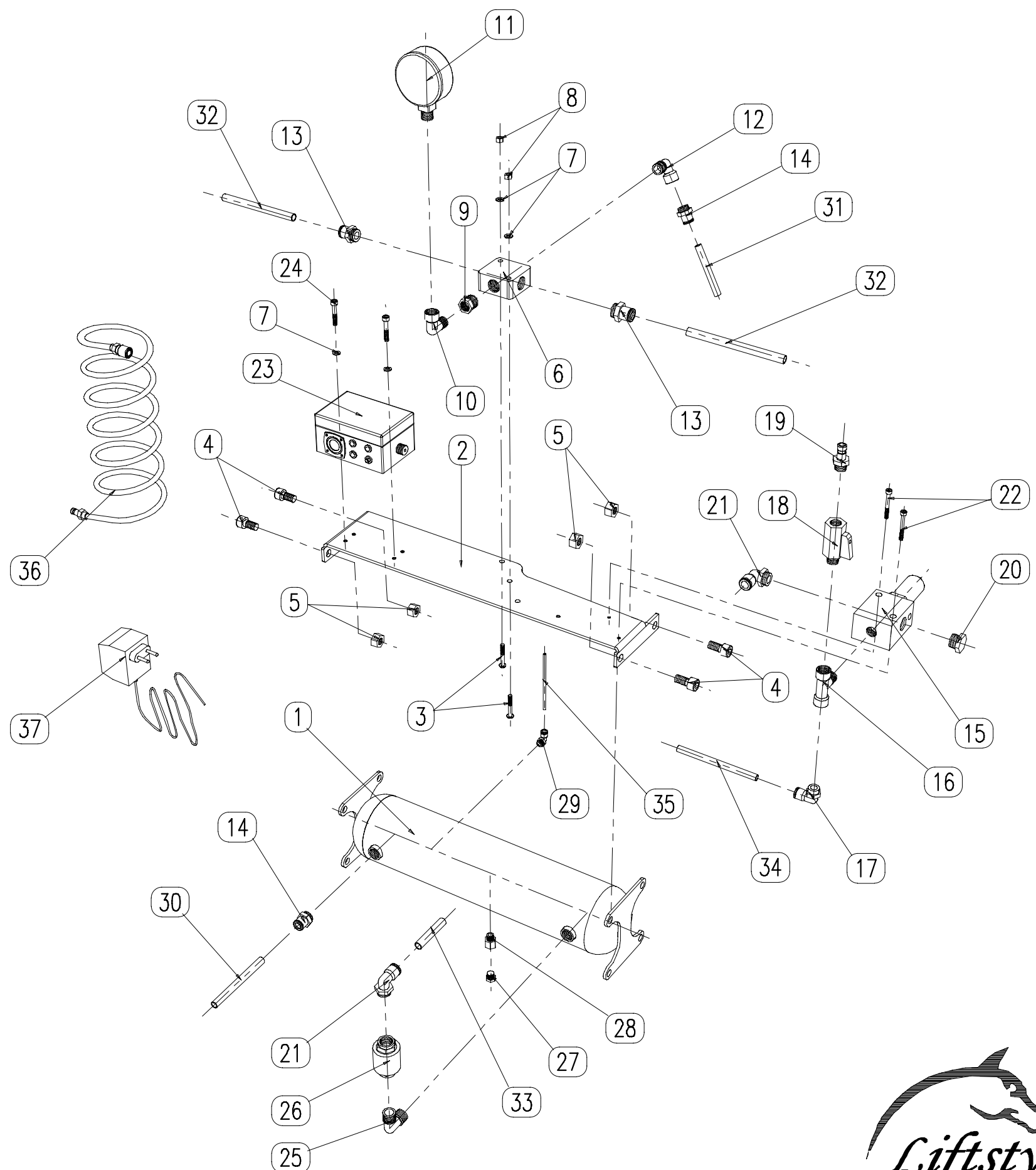
- COD. 62000151BZ
- COD. 60001730A
- COD. 62002774Z
- COD. 60000156Z
- COD. 9400020000008
- COD. 9400400000001
- COD. 9400000000003
- COD. 9400060000010
- COD. 9400075000001
- COD. 60002186Z
- COD. 60002187Z
- COD. 9400000000043
- COD. 9400050000011
- COD. 62002756Z
- COD. 9400020000060
- COD. 9400060000004
- COD. 9400050000004
- COD. 9400020000028
- COD. 9400040000005



MODEL: VAM2PN/500 EXENTIAL  
 MACHINE CODE: 00208102GQEXE

- 22 - EXENTIAL TWO PLATES SYSTEM
- 22A- CYLINDER CONTROL VALVE
- 22B- EXENTIAL SUCKER CONTROL VALVE
- 23 - M5x20 UNI 5933 - 10.9 ALLEN SCREW
- 24 - M4x25 UNI 5931 - 8.8 ALLEN SCREW
- 25 - M8 KNOB FASTENING PLATE SUPPORT
- 26 - M6x16 UNI 5931 - 8.8 ALLEN SCREW
- 27 - D25 PVC PLUG
- 28 - 30x30 SQUARE PVC PLUG
- 29 - 40x40 SQUARE PVC PLUG

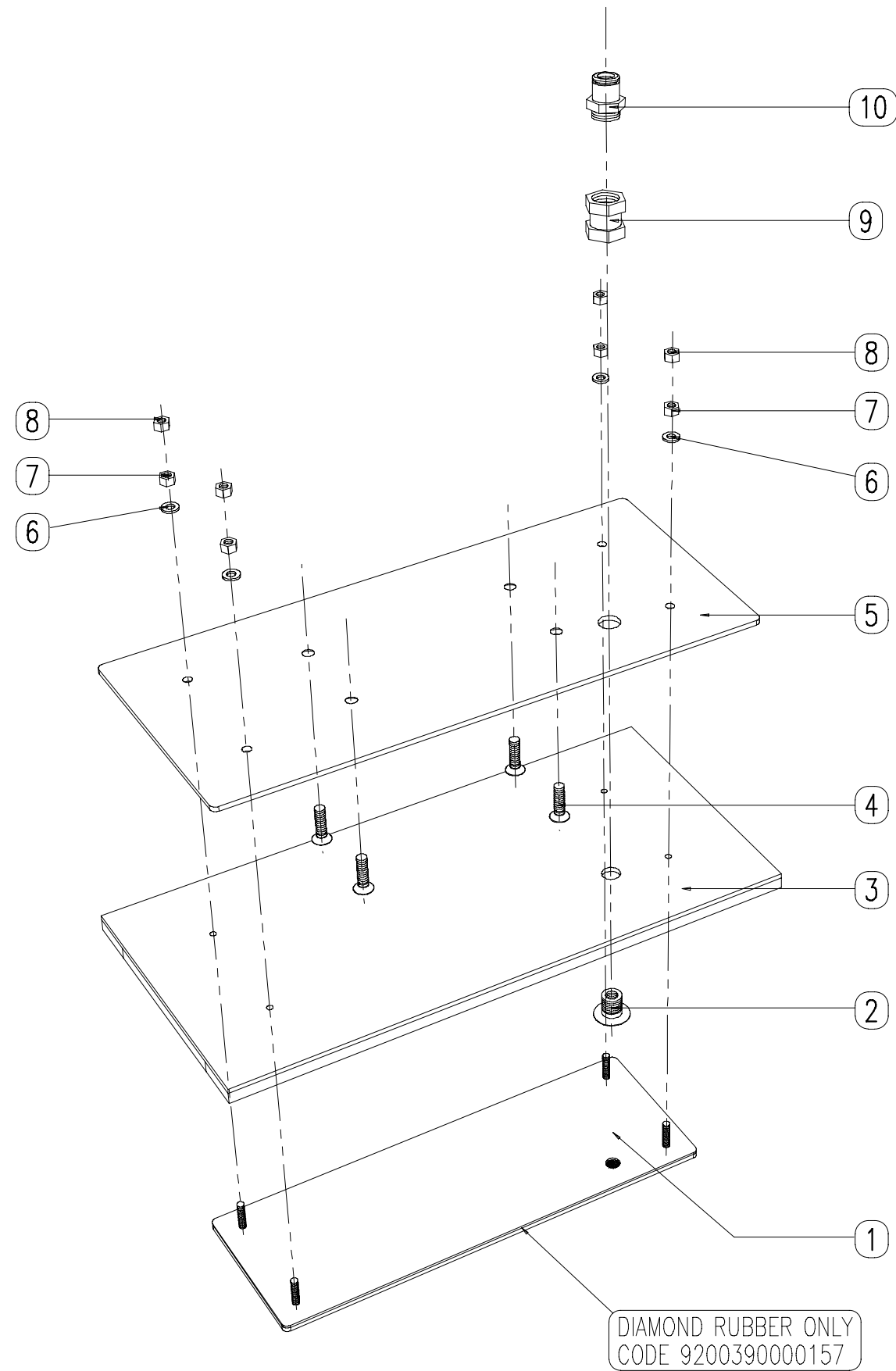
- COD. 9400030000027
- COD. 9400020000002
- COD. 62000600A
- COD. 9400020000007
- COD. 9400500000014
- COD. 9400500000001
- COD. 9400500000002



- |                                       |                    |
|---------------------------------------|--------------------|
| 1 - EXENTIAL DEVICE TANK              | COD. 92000248Z     |
| 2 - EXENTIAL ACCESSORY HOLDER PLATE   | COD. 60001654Z     |
| 3 - M5x35 UNI 7380 - 8.8 ROUND HEAD   | COD. 9400021000002 |
| 4 - M10x20 UNI 5931 - 8.8 ALLEN SCREW | COD. 9400020000028 |
| 5 - M10 UNI 5587 NUT                  | COD. 9400040000005 |
| 6 - A21 3/8 4-WAY DISTRIBUTOR         | COD. 9300150000002 |
| 7 - 5.3x10 UNI 6592 FLAT WASHER       | COD. 9400060000002 |
| 8 - M5 UNI 5587 NUT                   | COD. 9400040000002 |
| 9 - A4 3/8 1/4 TAPERED MF REDUCTION   | COD. 9300020000001 |
| 10 - MF A10 1/4 1/4 ELBOW             | COD. 9300060000002 |
| 11 - 0/-1 BAR 1/4 Ø63 MM VACUUM METER | COD. 9200500000001 |
| 12 - MF A10 3/8 3/8 ELBOW             | COD. 9300060000003 |
| 13 - 3/8 8 MALE STUD FITTING          | COD. 9301000000016 |
| 14 - 3/8 10 MALE STUD FITTING         | COD. 9301000000019 |
| 15 - COMPLETE BASIC VENTURIMETER      | COD. 9200000000026 |
| 16 - FMF A12 1/4 HEX HEAD             | COD. 9300080000002 |
| 17 - 1/4 8 MALE STUD ELBOW            | COD. 9301020000015 |
| 18 - MF 1/4 RED MINI-BALL             | COD. 9300510000011 |
| 19 - M 1/4 QUICK CONNECTION USA       | COD. 9300600000010 |
| 20 - A7 3/8 MALE PLUG                 | COD. 9300040000003 |
| 21 - 3/8 10 MALE STUD ELBOW           | COD. 9301020000019 |
| 22 - M4x35 UNI 5931 - 8.8 ALLEN SCREW | COD. 9400020000047 |
| 23 - SELF-POWERED ALARM SYSTEM        | COD. 9000500000101 |
| 24 - M5x10 UNI 5931 - 8.8 ALLEN SCREW | COD. 9400020000004 |
| 25 - MM A15 3/8 3/8 ELBOW             | COD. 9300160000001 |
| 26 - 3/8 EUROPEAN CHECK VALVE         | COD. 9300500000002 |
| 27 - A7 1/8 MALE PLUG                 | COD. 9300040000001 |
| 28 - A5 1/8 1/8 TAPERED MF EXTENSION  | COD. 9300030000001 |
| 29 - 1/8 4 MALE STUD ELBOW            | COD. 9301020000009 |
| 30 - LEGRIS U10 BLUE TUBE L430        | COD. 9200380000024 |
| 31 - LEGRIS U10 BLUE TUBE L610        | COD. 9200380000025 |
| 32 - RILSAN 6 8 RED TUBE              | COD. 9200360000009 |
| 33 - LEGRIS U10 BLUE TUBE             | COD. 9200380000001 |
| 34 - RILSAN 6 8 RED TUBE L1000        | COD. 9200360000009 |
| 35 - RILSAN 2 4 YELLOW TUBE L400      | COD. 9200360000013 |
| 36 - AIR-SUCKER CONNECTION KIT        | COD. 910000000000A |
| 37 - BATTERY CHARGER USA              | COD. 9000500000022 |



PART 22  
EXENTIAL TWO PLATES SYSTEM

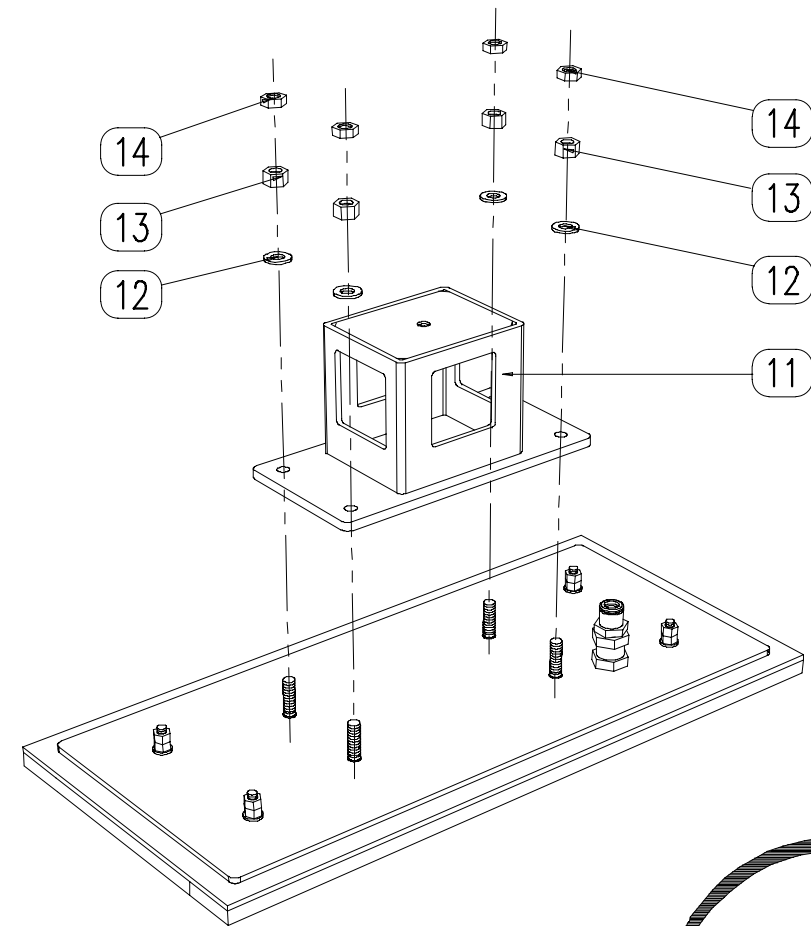


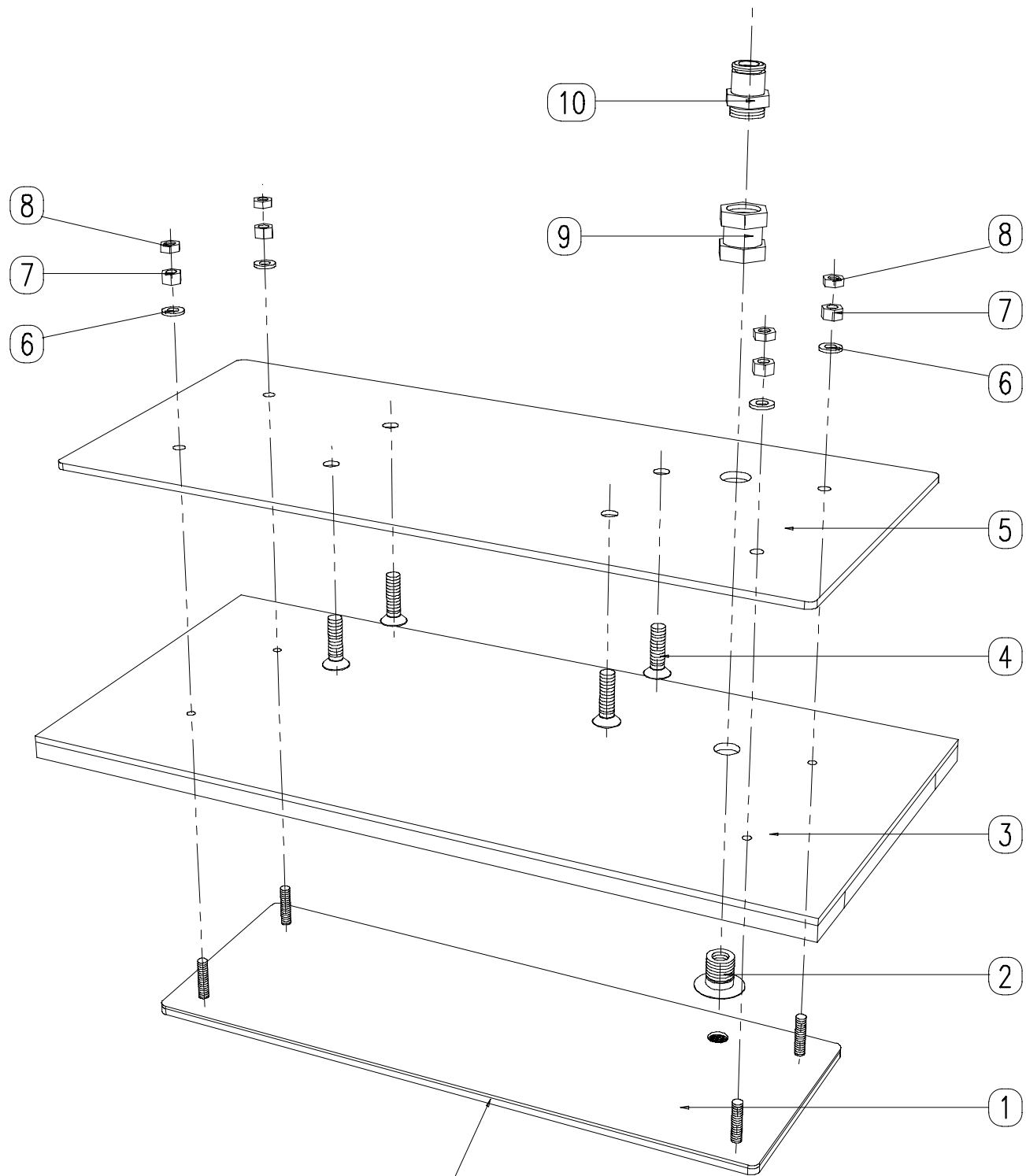
## RIGHT SUCTION PLATE CODE 62001836EXE

1 - RIGHT COUNTER-PLATE RUBBER	COD. 61200102
2 - 3/8 SUCTION SCREW	COD. 90000030
3 - RIGHT PLATE SEAL	COD. 61200015
4 - M8x30 UNI 5933 - 10.9 ALLEN SCREW	COD. 9400030000007
5 - RIGHT BASE PLATE	COD. 60001837Z
6 - 6.4x12.5 UNI 6592 FLAT WASHER	COD. 9400060000003
7 - M6 UNI 5587 NUT	COD. 9400040000003
8 - M6 UNI 5589 NUT	COD. 9400040000103
9 - A3 3/8 THREADED SLEEVE	COD. 9300010000003
10 - 3/8 8 MALE STUD FITTING	COD. 9301000000016

## RIGHT SUCTION PLATE WITH SUPPORT CODE 62001836E+S

11 - 50 STD TUBE PLATE SUPPORT	COD. 62000024AZ
12 - 8.4x17 UNI 6592 FLAT WASHER	COD. 9400060000004
13 - M8 UNI 5587 NUT	COD. 9400040000004
14 - M8 UNI 5589 NUT	COD. 9400040000104





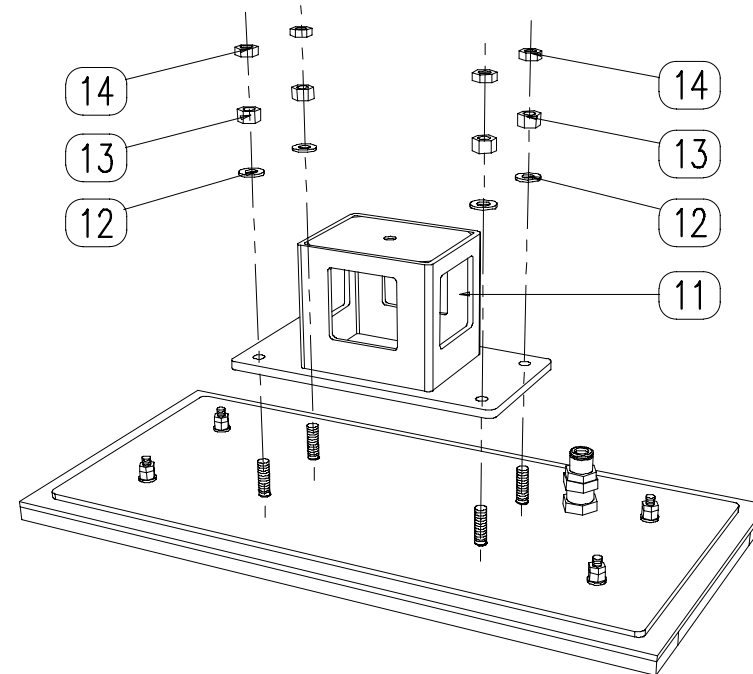
DIAMOND RUBBER ONLY  
CODE 9200390000158

### LEFT SUCTION PLATE CODE 62001839EXE

- |                                       |                    |
|---------------------------------------|--------------------|
| 1 - LEFT COUNTER-PLATE RUBBER         | COD. 61200103      |
| 2 - 3/8 SUCTION SCREW                 | COD. 90000030      |
| 3 - LEFT PLATE SEAL                   | COD. 61200013      |
| 4 - M8x30 UNI 5933 - 10.9 ALLEN SCREW | COD. 9400030000007 |
| 5 - LEFT BASE PLATE                   | COD. 60001840Z     |
| 6 - 6.4x12.5 UNI 6592 FLAT WASHER     | COD. 9400060000003 |
| 7 - M6 UNI 5587 NUT                   | COD. 9400040000003 |
| 8 - M6 UNI 5589 NUT                   | COD. 9400040000103 |
| 9 - A13 3/8 THREADED SLEEVE           | COD. 9300010000003 |
| 10 - 3/8 8 MALE STUD FITTING          | COD. 9301000000016 |

### LEFT SUCTION PLATE WITH SUPPORT CODE 62001839E+S

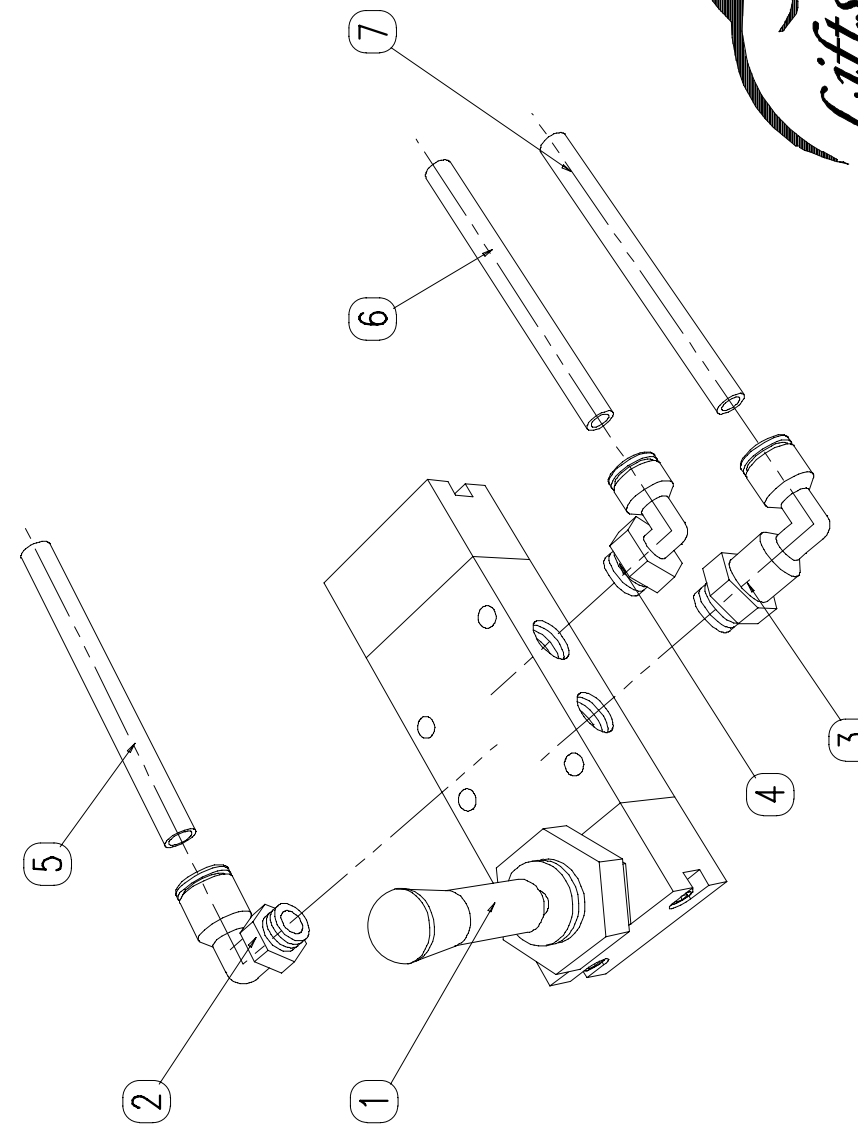
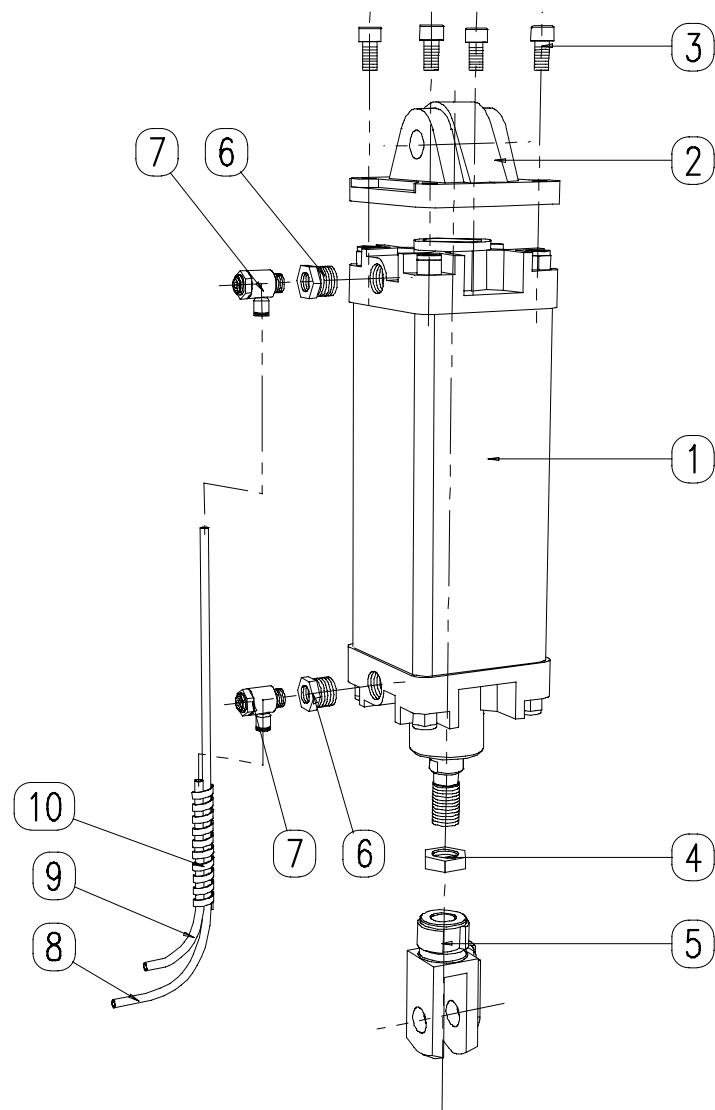
- |                                  |                    |
|----------------------------------|--------------------|
| 11 - 50 STD TUBE PLATE SUPPORT   | COD. 62000024AZ    |
| 12 - 8.4x17 UNI 6592 FLAT WASHER | COD. 9400060000004 |
| 13 - M8 UNI 5587 NUT             | COD. 9400040000004 |
| 14 - M8 UNI 5589 NUT             | COD. 9400040000104 |





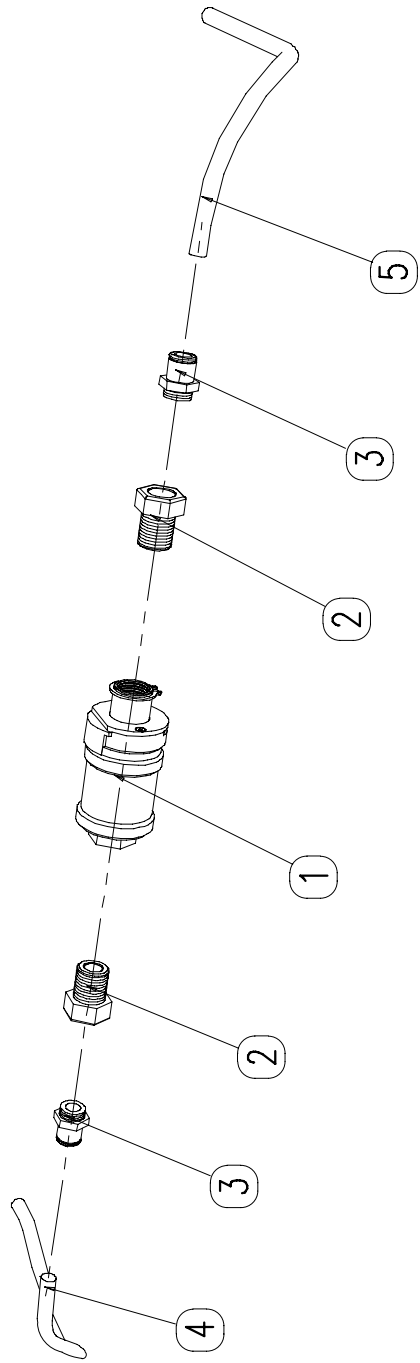
PNEUMATIC CYLINDER

- |                                       |                    |
|---------------------------------------|--------------------|
| 1 - Ø100 CYLINDER 200 MM STROKE       | COD. 9100200000018 |
| 2 - Ø100 MALE ISO HINGE               | COD. 9100210000002 |
| 3 - M10x35 UNI 5931 - 8.8 ALLEN SCREW | COD. 9400020000058 |
| 4 - M20x1.5 NUT                       | COD. 9100220000002 |
| 5 - M20 FORK                          | COD. 9100210000036 |
| 6 - 1/2 1/4 A4 TAPERED MF REDUCTION   | COD. 9300020000002 |
| 7 - 1/4 6 FLOW REGULATOR              | COD. 9301160000005 |
| 8 - RILSAN 4 6 RED TUBE L1100         | COD. 9200360000021 |
| 9 - RILSAN 4 6 RED TUBE L830          | COD. 9200360000020 |
| 10 - TUBE HEAT TIGHTENING             | COD. 9300320000019 |



PART 22A  
CYLINDER CONTROL VALVE

- |                               |                    |
|-------------------------------|--------------------|
| 1 - 5/3-1/8 VALVE             | COD. 9200200000016 |
| 2 - 1/8 8 ELBOW               | COD. 9301020000014 |
| 3 - P 1/8 6 ELBOW             | COD. 9301030000007 |
| 4 - 1/8 6 ELBOW               | COD. 9301020000010 |
| 5 - RILSAN 8 6 RED TUBE L1000 | COD. 9200360000009 |
| 6 - RILSAN 6 4 RED TUBE L1100 | COD. 9200360000021 |
| 7 - RILSAN 6 4 RED TUBE L830  | COD. 9200360000020 |



- 1 - 1/2 SLIDER VALVE EXENTIAL
- 2 - A4 1/2 3/8 TAPERED MF REDUCTION
- 3 - 3/8 10 MALE STUD FITTING
- 4 - LEGRIS U10 BLUE TUBE L430
- 5 - LEGRIS U10 BLUE TUBE L610

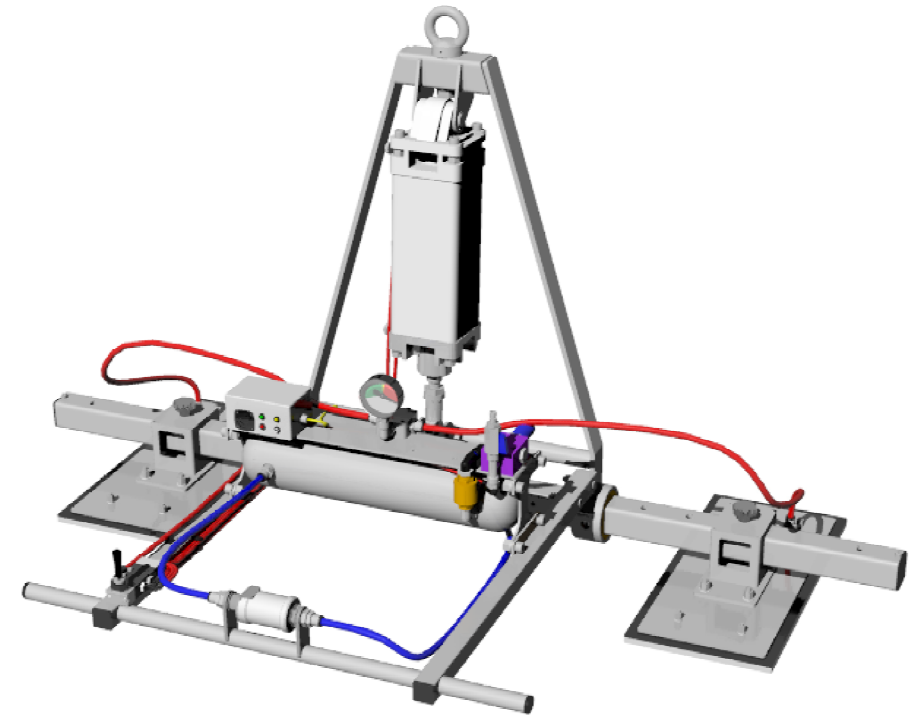
- COD. 90000006EXE
- COD. 9300020000003
- COD. 9301000000019
- COD. 9200380000024
- COD. 9200380000025
- COD. 0009900000010



PART. 22B  
EXENTIAL SUCKER  
CONTROL VALVE



*Spare Parts  
for  
your vacuum lifter*



**GranQuartz**

Tool-Free 1 (800) 458-6222  
Fax 1 (800) 621-9771