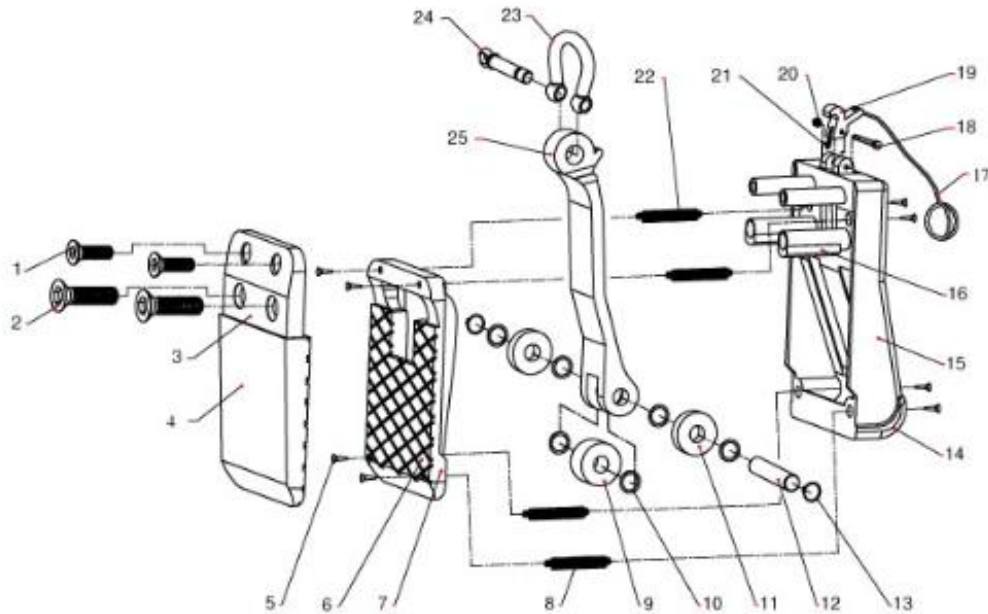




AARDWOLF LIFTER 40 - 50



SPARE PARTS LIST

CODE	POSITION	DESCRIPTION	QTY
AL40/50 - 01	1	Hexagon socket countersunk head screw M12x40	2
AL40/50 - 02	2	Hexagon socket countersunk head screw M16x55	2
AL40/50 - 03	3	Back plate	1
AL40/50 - 04	4	Rubber for back plate	1
AL40/50 - 05	5	Phillips head screws M4x15	8
AL40/50 - 06	6	Rubber for center sliding plate	1
AL40/50 - 07	7	Center sliding plate	1
AL40/50 - 08	8	Bottom extension spring	2
AL40/50 - 09	9	Inner pressure wheel	1
AL40/50 - 10	10	Brass washer $\phi 20$	6
AL40/50 - 11	11	Outer pressure wheel	2
AL40/50 - 12	12	Shaft	1
AL40/50 - 13	13	Circlips $\phi 20$	2
AL40/50 - 14	14	Rubber for camplate	1
AL40/50 - 15	15	Camplate	1
AL40/50 - 16	16	Rubber pieces	2
AL40/50 - 17	17	Lanyard ^(*)	1
AL40/50 - 18	18	Hexagon socket countersunk head screw M5 x 60	1
AL40/50 - 19	19	Locking latch ^(*)	1
AL40/50 - 20	20	Nylon nut M5	1
AL40/50 - 21	21	Torsion spring ^(*)	1
AL40/50 - 22	22	Top extention spring	2
AL40/50 - 23	23	Shackle ^(*)	1
AL40/50 - 24	24	Shackle pin ^(*)	1
AL40/50 - 25	25	Lifting pin	1

(*) Part universal for all Aardwolf lifter models.

When ordering spare parts, please show the codes of parts and quantities on your purchase order.

For example: part code: AL40/50 - 07, QTY: 11