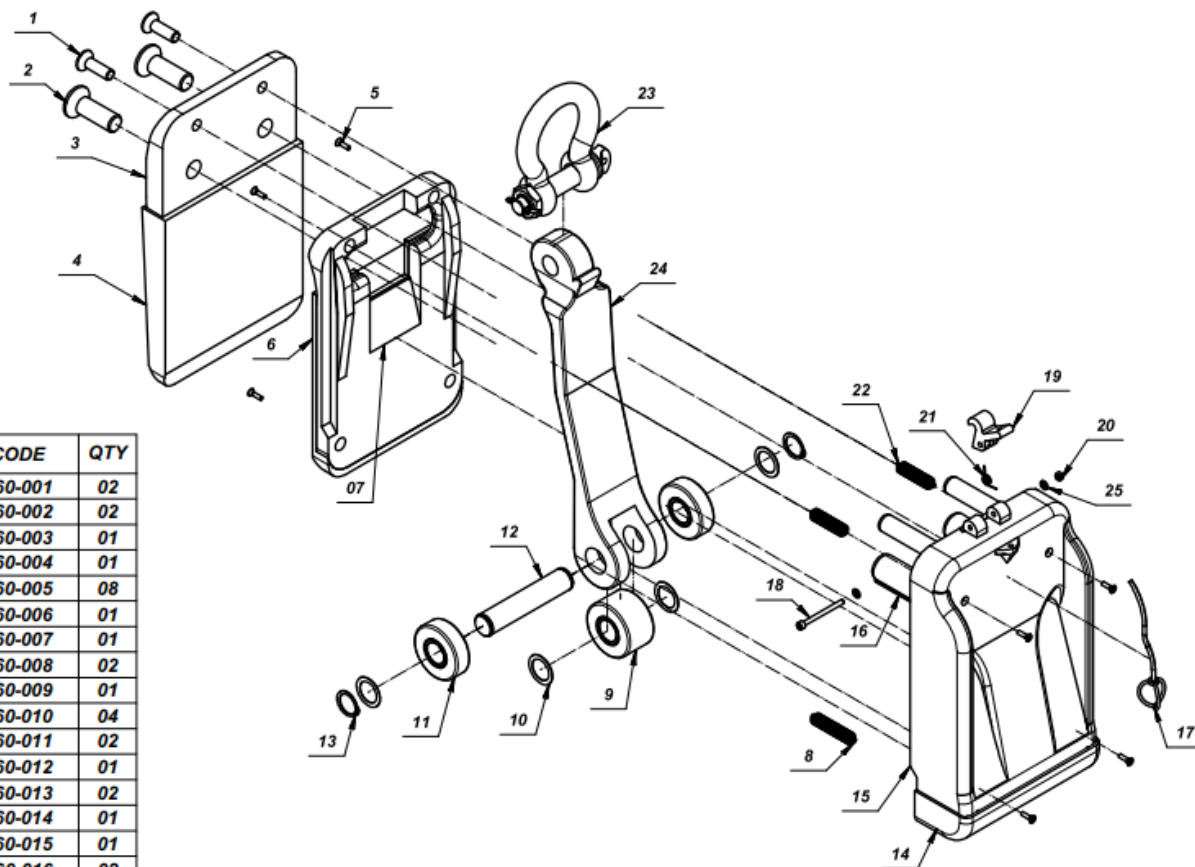




ASSEMBLY DIAGRAM (MODEL: AL60)



PARTS LIST

POSITION	DESCRIPTION	CODE	QTY
1	Hexagon socket countersunk head screw M12x40	AL60-001	02
2	Hexagon socket countersunk head screw M20x60	AL60-002	02
3	Back plate	AL60-003	01
4	Rubber for back plate	AL60-004	01
5	Tapping screw M4x15	AL60-005	08
6	Rubber for center sliding plate	AL60-006	01
7	Center sliding plate	AL60-007	01
8	Bottom extension spring	AL60-008	02
9	Inner pressure wheel	AL60-009	01
10	Brass washer Ø25	AL60-010	04
11	Outer pressure wheel	AL60-011	02
12	Shaft	AL60-012	01
13	Circlip Ø25	AL60-013	02
14	Rubber for camplate	AL60-014	01
15	Camplate	AL60-015	01
16	Rubber pieces	AL60-016	02
17	Lanyard	AL60-017	01
18	Socket head cap screw M5x60	AL60-018	01
19	Locking latch	AL60-019	01
20	Nylon nut M5	AL60-020	01
21	Torsion spring	AL60-021	01
22	Top extension spring	AL60-022	02
23	Shackle	AL60-023	01
24	Lifting pin	AL60-024	01
25	Washer Ø5	AL60-025	02