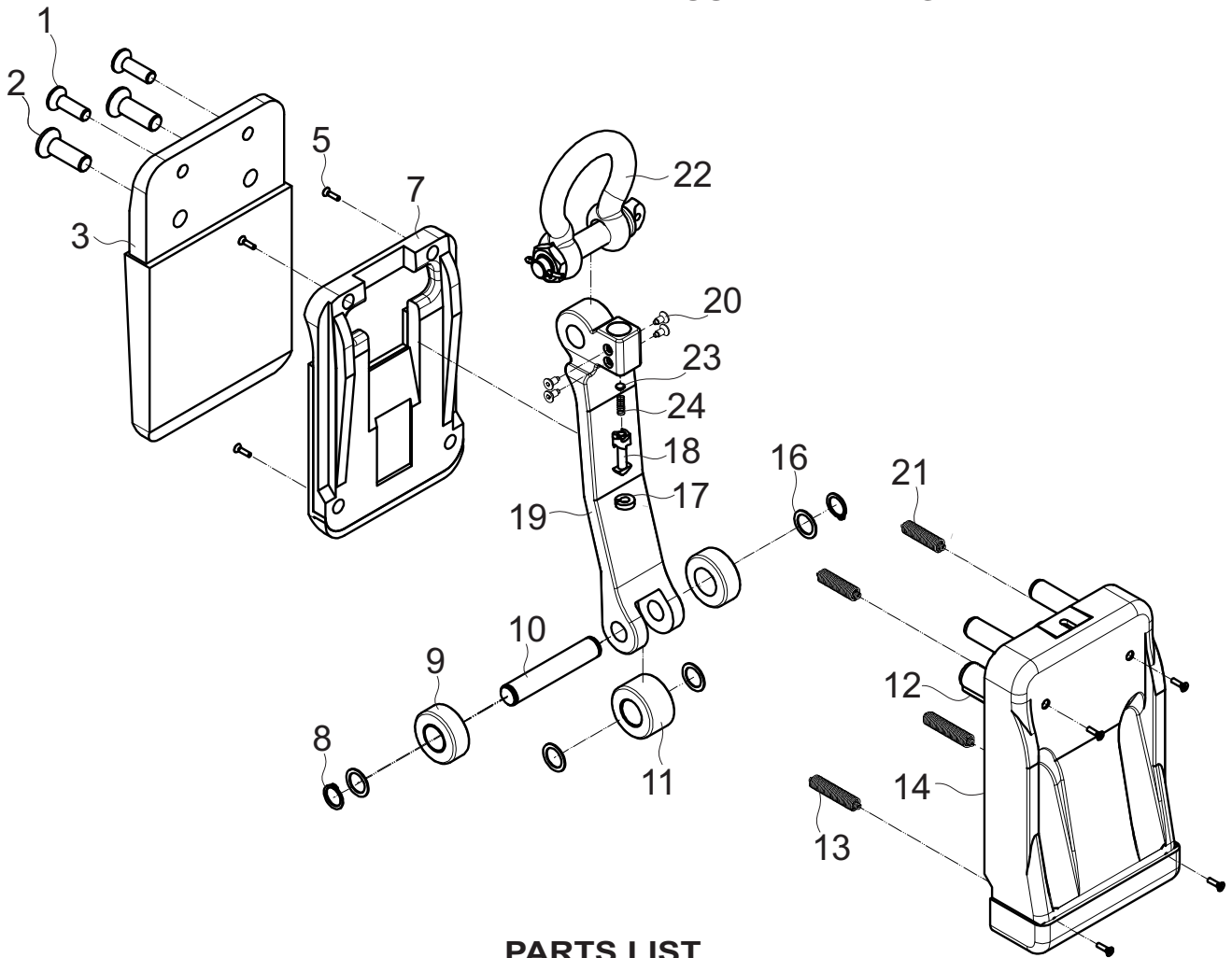


AARDWOLF SLAB LIFTER - AL50A ASSEMBLY DIAGRAM



PARTS LIST

POSITION	DESCRIPTION	CODE	QTY
1	Hexagon socket countersunk head screw M12x40	AL50A-001	02
2	Hexagon socket countersunk head screw M16x50	AL50A-002	02
3	Back plate	AL50A-003	01
5	Tapping screw M4x15	AL50A-005	08
7	Center sliding plate	AL50A-006	01
8	Circlips Ø20	AL50A-008	02
9	Outer pressure wheel	AL50A-009	02
10	Shaft	AL50A-010	01
11	Inner pressure wheel	AL50A-011	01
12	Rubber pieces	AL50A-012	02
13	Bottom extension spring	AL50A-013	02
14	Camplate	AL50A-014	01
16	Brass washer Ø20	AL50A-016	04
17	Plastic cap	AL50A-017	01
18	Locking pin	AL50A-018	01
19	Lifting pin	AL50A-019	01
20	Hexagon socket countersunk head screw M6x10	AL50A-020	04
21	Top extension spring	AL50A-021	02
22	Shackle	AL50A-022	01
23	Spring cap	AL50A-023	01
24	Small spring	AL50A-024	01