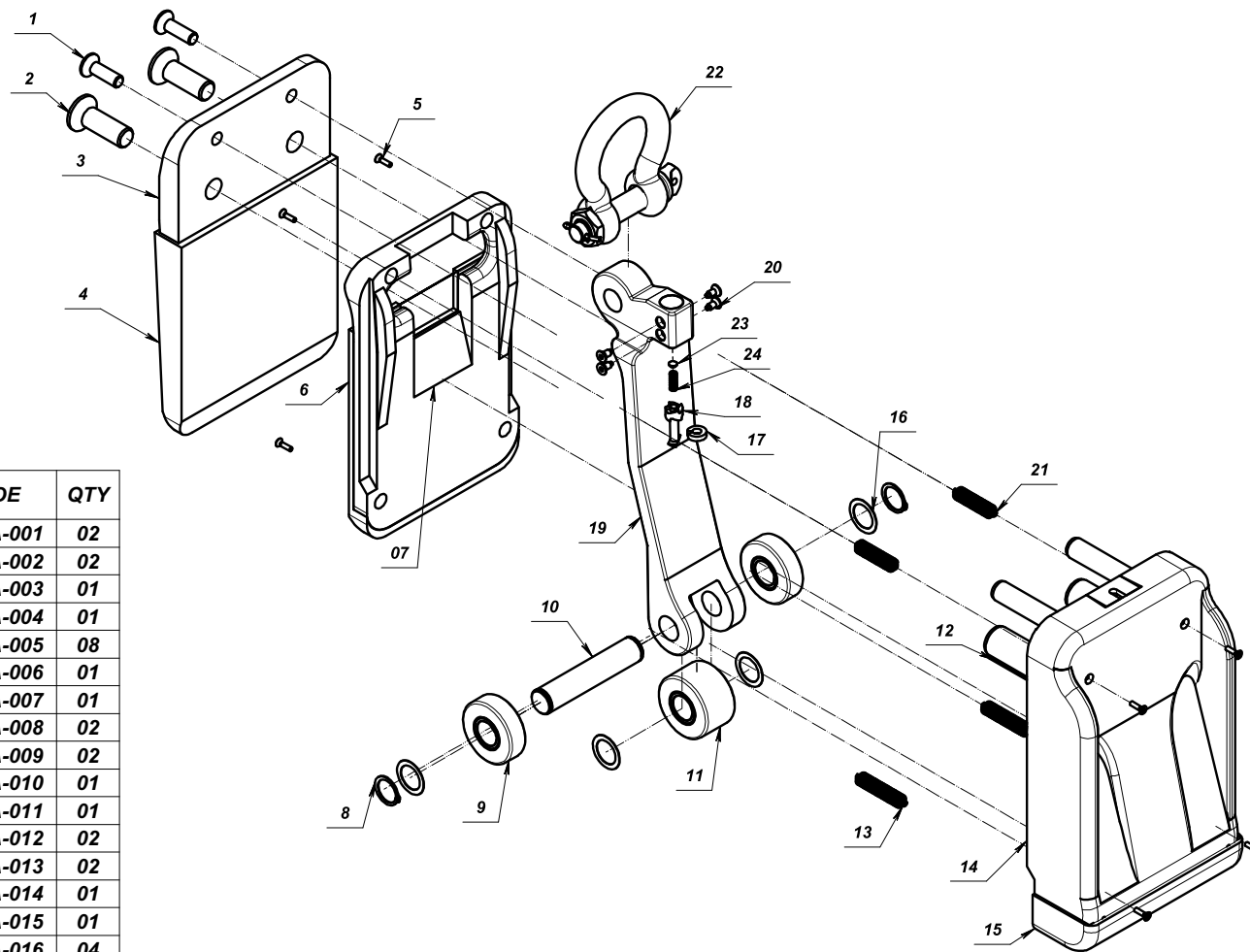




ASSEMBLY DIAGRAM (MODEL: AL75A)



PARTS LIST

POSITION	DESCRIPTION	CODE	QTY
1	Hexagon socket countersunk head screw M12x40	AL75A-001	02
2	Hexagon socket countersunk head screw M20x60	AL75A-002	02
3	Back plate	AL75A-003	01
4	Rubber for back plate	AL75A-004	01
5	Tapping screw M4x15	AL75A-005	08
6	Rubber for center sliding plate	AL75A-006	01
7	Center sliding plate	AL75A-007	01
8	Circlips Ø25	AL75A-008	02
9	Outer pressure wheel	AL75A-009	02
10	Shaft	AL75A-010	01
11	Inner pressure wheel	AL75A-011	01
12	Rubber pieces	AL75A-012	02
13	Bottom extension spring	AL75A-013	02
14	Camplate	AL75A-014	01
15	Rubber for camplate	AL75A-015	01
16	Brass washer Ø25	AL75A-016	04
17	Plastic cap	AL75A-017	01
18	Locking pin	AL75A-018	01
19	Lifting pin	AL75A-019	01
20	Hexagon socket countersunk head screw M6x10	AL75A-020	04
21	Top extension spring	AL75A-021	02
22	Shackle	AL75A-022	01
23	Spring cap	AL75A-023	01
24	Small spring	AL75A-024	01