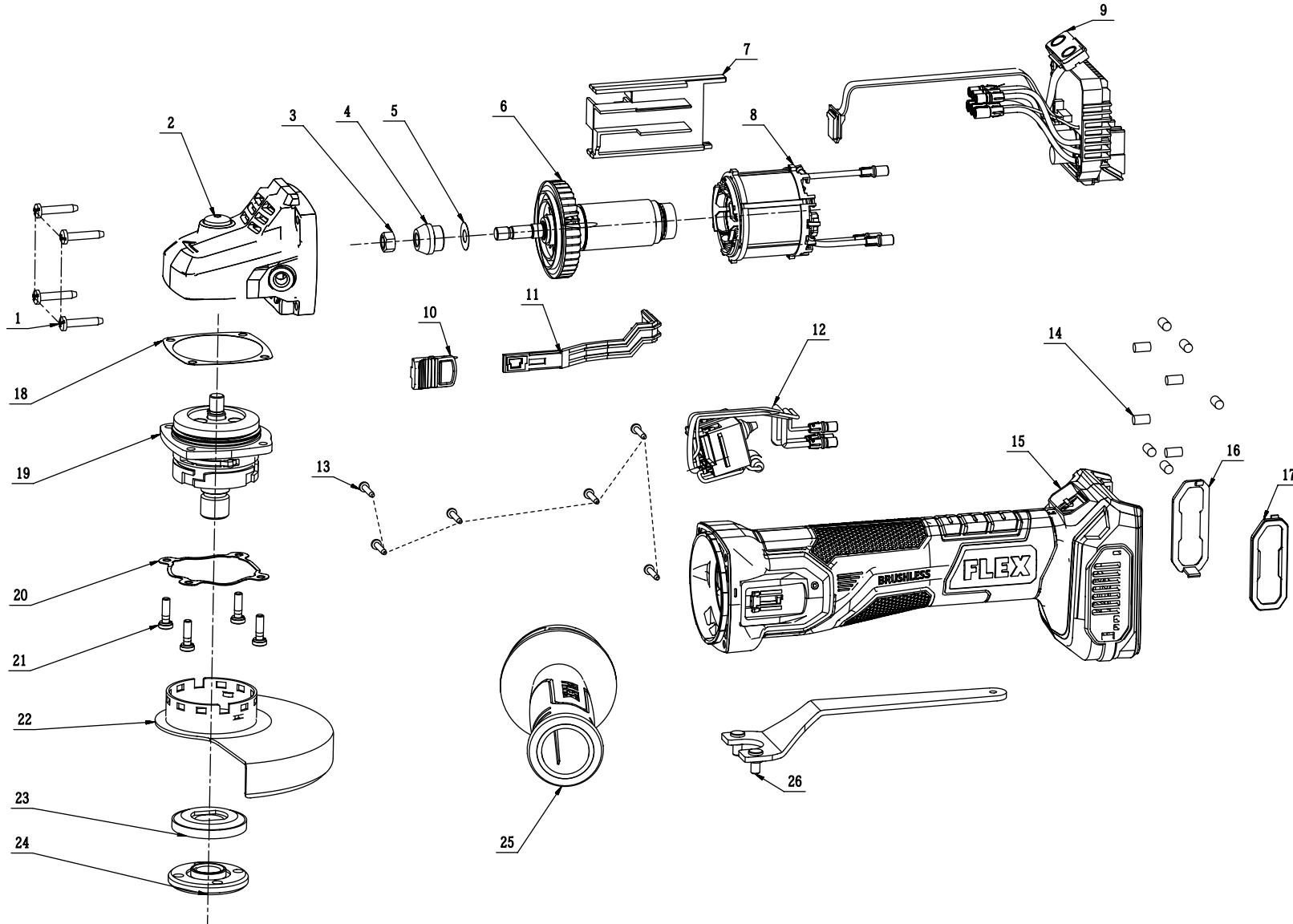


FLEX

Product Description: Angle Grinder
Model Number: FX3181A-Z
Body Number: 0940016001
Version: A
Issue Date: 2021/07/15



| No. | Product Model# | Part Number | Description | Qty |
|-----|----------------|-------------|--------------------------|-----|
| 1 | FX3181A-Z | 5610284002 | Tapping Screw | 4 |
| 2 | FX3181A-Z | 2827241001 | Gear Case Assembly | 1 |
| 3 | FX3181A-Z | 5630224002 | Nut | 1 |
| 4 | FX3181A-Z | 3552378001 | Bevel Pinion | 1 |
| 5 | FX3181A-Z | 5650326001 | Dust Washer | 1 |
| 6 | FX3181A-Z | 2751303001 | Rotor Set | 1 |
| 7 | FX3181A-Z | 3131290001 | Wire Slot | 1 |
| 8 | FX3181A-Z | 2740392001 | Stator Assembly | 1 |
| 9 | FX3181A-Z | 2830805002 | 5003.2_Electric Assembly | 1 |
| 10 | FX3181A-Z | 3129628001 | Switch Button | 1 |
| 11 | FX3181A-Z | 3130929001 | Switch Actuator | 1 |
| 12 | FX3181A-Z | 4870849001 | Switch Assembly | 1 |
| 13 | FX3181A-Z | 5610241002 | Screw | 6 |
| 14 | FX3181A-Z | 3123928002 | Rubber Pole | 9 |
| 15 | FX3181A-Z | 3900335001 | L R Housing Set | 1 |
| 16 | FX3181A-Z | 3403185001 | Dust Cover | 1 |
| 17 | FX3181A-Z | 3403184001 | Dust Cover | 1 |
| 18 | FX3181A-Z | 3705836001 | Gasket Seal | 1 |
| 19 | FX3181A-Z | 2827349001 | Output Shaft Assembly | 1 |
| 20 | FX3181A-Z | 5650877001 | Wave Washer | 1 |
| 21 | FX3181A-Z | 5620360003 | Hexagon Lobuar Screw | 4 |
| 22 | FX3181A-Z | 3705835001 | Guard | 1 |
| 23 | FX3181A-Z | 2820067001 | Inner Flange | 1 |
| 24 | FX3181A-Z | 3550333003 | Outer Flange | 1 |
| 25 | FX3181A-Z | 3322966001 | Auxiliary Handle | 1 |
| 26 | FX3181A-Z | 3700583004 | Wrench | 1 |