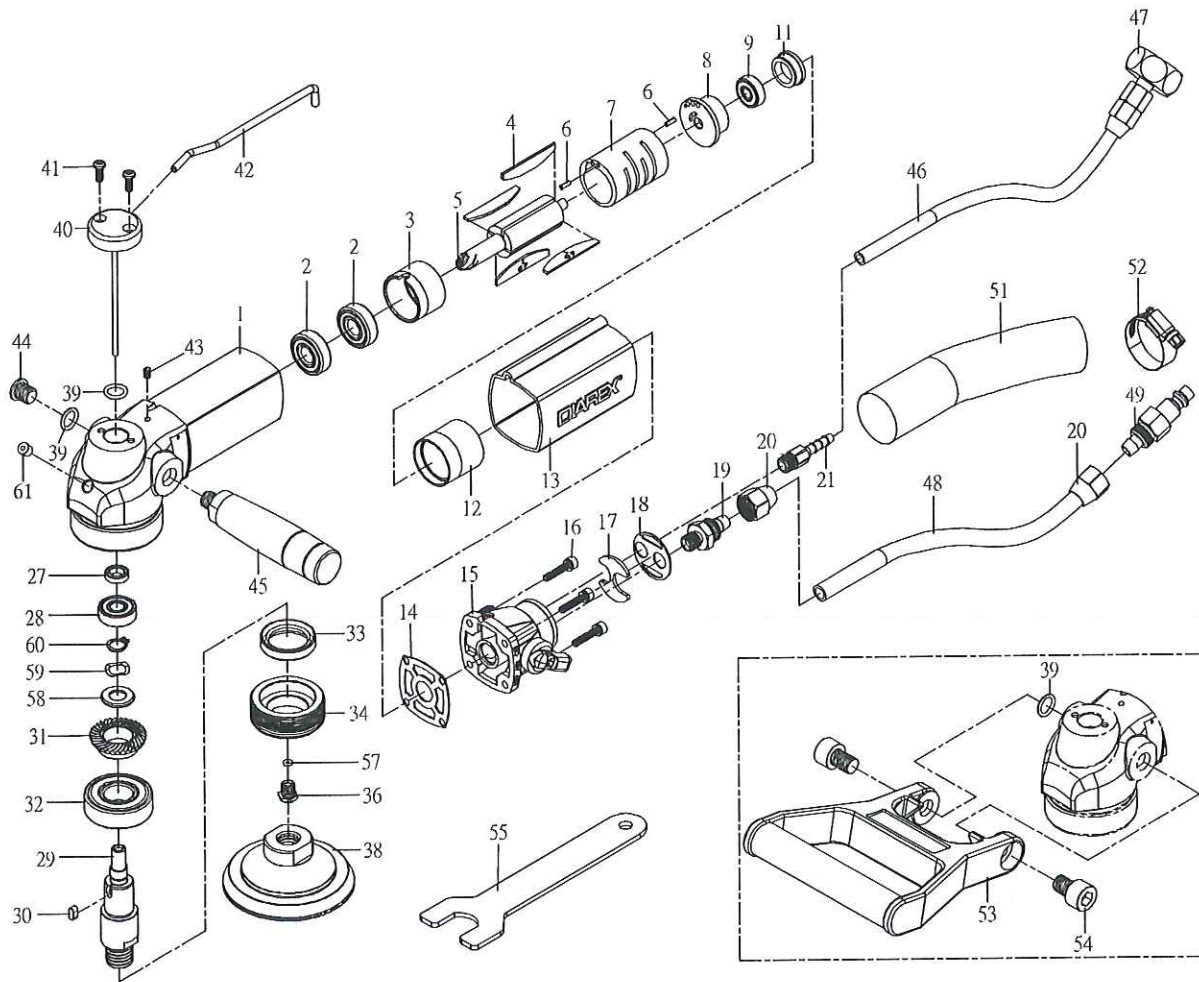


600600

# Diarex® ProSeries Polisher



## PARTS LIST

- |                             |   |                             |
|-----------------------------|---|-----------------------------|
| 01. Body                    | 20. Hose Adaptor (2)                          | 44. Cap Screw               |
| 02. Bearing (2)             | 21. Water Valve                               | 45. Side Handle             |
| 03. Cylinder Cap            | 27. Oil Seal                                  | 46. Water Hose              |
| 04. Blade (4)               | 28. Bearing                                   | 47. Water Valve Assy.       |
| 05. Rotor                   | 29. Main Shaft                                | 48. Air Inlet Tube          |
| 06. Spring Pin (2)          | 30. Locking Key                               | 49. Quick Joint (MILTON)    |
| 07. Cylinder                | 31. Spiral Gear                               | 51. Air Exhaust Tube        |
| 08. Rear Cylinder Cap       | 32. Bearing                                   | 52. Retainer Ring           |
| 09. Bearing                 | 33. Oil Seal                                  | 53. C Handle                |
| 11. Dust-Proof Plug         | 34. Locking Screw Cap                         | 54. Screw (2)               |
| 12. Cylinder Bushing        | 36. Water Exit                                | 55. Stop Spanner            |
| 13. Rubber Sleeve           | 38. Sanding Pad                               | 57. O-Ring                  |
| 14. Gasket                  | 39. O-Ring (2)                                | 58. Gasket For Spiral Shaft |
| 15. Exhaust Plate Set Assy. | 40. Water Inlet Transfer Post<br>w/brass tube | 59. Wave Washer             |
| 16. Cap Screw (4)           | 41. Screw (2)                                 | 60. Retaining Ring          |
| 17. Muffler Gasket          | 42. Water Inlet Tube                          | 61. Grease Hole             |
| 18. Fixed Plate             | 43. Set Screw                                 |                             |
| 19. Air Inlet Nozzle        |   |                             |

## Parts Cross Reference for 600600

| No. | Part Nr. | Description                           | Applied Qty | QQ#    |
|-----|----------|---------------------------------------|-------------|--------|
| 1   | 218001   | Body                                  | 1           | 600605 |
| 2   | B6000LLU | Ball Bearing                          | 2           | 600624 |
| 3   | 7W004    | Cylinder Cap                          | 1           | 600625 |
| 4   | 7W007    | Rotor Blade                           | 4           | 600629 |
| 5   | 7W006    | Rotor                                 | 1           | 600628 |
| 6   | SP014    | Spring Pin                            | 2           | 600626 |
| 7   | 7W005    | Cylinder                              | 1           | 600627 |
| 8   | 7W008    | Rear Cylinder Cap                     | 1           | 600630 |
| 9   | B626LLU  | Ball Bearing                          | 1           | 600631 |
| 11  | 7W010    | Dust-proof Plug                       | 1           | 600632 |
| 12  | 218017   | Cylinder Bushing                      | 1           | 600633 |
| 13  | 218004DX | Rubber Sleeve                         | 1           | 600634 |
| 14  | 218018   | Gasket                                | 1           | 600635 |
| 15  | 218g01   | Exhaust Plate Set Assy.               | 1           | 600636 |
| 16  | CAP020   | Cap Screw                             | 4           | 600637 |
| 17  | 218010   | Muffler Gasket                        | 1           | 600642 |
| 18  | 218009   | Fixed Plate                           | 1           | 600643 |
| 19  | 7W042    | Air Inlet Nozzle                      | 1           | 600645 |
| 20  | 7W043    | Hose Adaptor                          | 2           | 600640 |
| 21  | 218011   | Water Valve                           | 1           | 600644 |
| 22  | 218016   | Bushing                               | 1           | 600638 |
| 23  | SP033    | Spring Pin                            | 2           | 600639 |
| 24  | 7W016    | Shifting Knob                         | 1           | 600640 |
| 25  | SPW5     | Spring Washer                         | 1           | 600656 |
| 26  | MC008    | Locking Screw                         | 1           | 600641 |
| 27  | SG009    | Oil Seal                              | 1           | 600606 |
| 28  | B608LLU  | Ball Bearing                          | 1           | 600668 |
| 29  | 7W027F   | One Piece Main Shaft w/water hole (5/ | 1           | 600608 |
| 30  | KC003    | Key                                   | 2           | 600611 |
| 31  | 7W029    | Bevel Gear                            | 1           | 600613 |
| 32  | B6203LLU | Ball Bearing                          | 1           | 600455 |
| 33  | SG011-1  | Oil Seal                              | 1           | 600663 |
| 34  | 218006   | Locking Screw Cap                     | 1           | 600616 |
| 36  | 829055W  | Water Exit                            | 1           | 600612 |
| 38  | 7W037-1  | 4" Sanding Pad                        | 1           | 600619 |
| 39  | OR006    | O-Ring                                | 1           | 600620 |
| 40  | 7W023    | Water Inlet Transfer Pos              | 1           | 600621 |
| 41  | MC007    | Screw                                 | 2           | 600622 |
| 42  | 218003   | Water Inlet Tube                      | 1           | 600623 |
| 43  | MS010    | Set Screw                             | 1           | 600647 |
| 44  | 7W040    | Cap Screw                             | 1           | 600658 |

|    |         |                                  |   |            |
|----|---------|----------------------------------|---|------------|
| 45 | 7W038   | Side Handle                      | 1 | 600655     |
| 47 | 218040B | Water Tube and Connector(DIAREX) | 1 | 600652     |
| 48 | 218020C | Hose & Plug, Milton type         | 1 | 600660     |
| 51 | 218024  | Air Exhaust Tube                 | 1 | 600665     |
| 52 | 218022  | Retainer Ring                    | 1 | 600650     |
| 53 | 218005  | Handle                           | 1 | 600648     |
| 54 | CAP027  | Cap Screw                        | 2 | 600649     |
| 55 | 829048  | Stop Spanner                     | 1 | 600410     |
| 56 | 218021  | Water Inlet Tube                 | 1 | 600666     |
| 57 | OR052   | O-RING                           | 1 | 600807     |
| 58 | 218039  | Gasket for Spiral Shaft          | 1 | NOT SET UP |
| 59 | WW10    | Wave Washer                      | 1 | 600708     |
| 60 | C10     | Retaining Ring                   | 1 | 600571     |
| 61 | 218038  | Grease Hole                      | 1 | NOT SET UP |
|    |         |                                  |   |            |
|    |         |                                  |   |            |
|    |         |                                  |   |            |
|    |         |                                  |   |            |
|    |         |                                  |   |            |