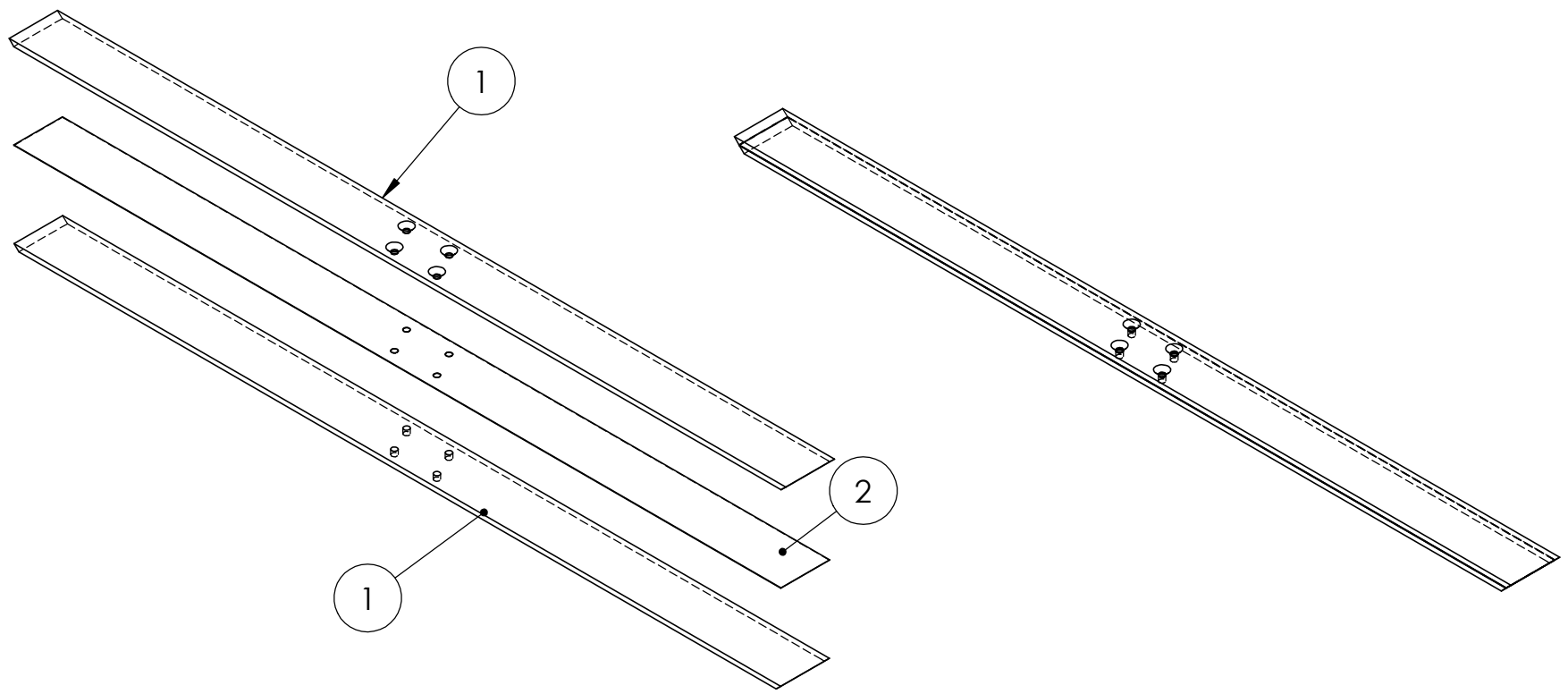


2

1

B

B



A

A

ITEM NO.	PART NO.	DESCRIPTION	QTY.
1	CFRPU BAR		2
2	ADHESIVE		1

CF SPAN
CARBON FIBER
STRUCTURAL SOLUTIONS

UNLESS OTHERWISE SPECIFIED:
DIMENSIONS ARE IN INCHES
TOLERANCES:
FRACTIONAL: ±1/8"
ANGULAR: ±5°
TWO PLACE DECIMAL: ±0.05
THREE PLACE DECIMAL: ±0.005

PROPRIETARY AND CONFIDENTIAL
THE INFORMATION CONTAINED IN THIS DRAWING IS THE SOLE PROPERTY OF CF SPAN LLC. ANY REPRODUCTION IN PART OR AS A WHOLE WITHOUT THE WRITTEN PERMISSION OF CF SPAN LLC. IS PROHIBITED.

	NAME	DATE
DRAWN	SH	2/27/25
CHECKED	ER	3/6/25
ENG APPR.	DL	3/6/25
MFG APPR.		
Q.A.		
COMMENTS:		

CF CARBON BAR™
HIGH STRENGTH - LIGHT WEIGHT

TITLE: DOUBLE SIDED ISLAND SUPPORT BUNDLE

SIZE A	DWG. NO. KC-DSIS-XX0204-PP	REV 1
---------------	----------------------------	--------------

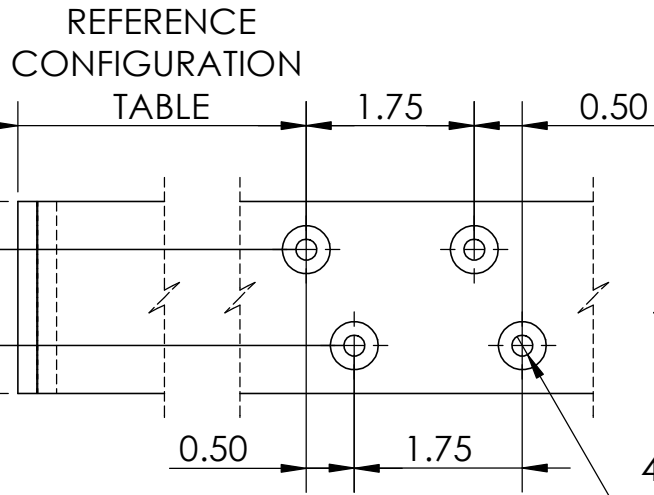
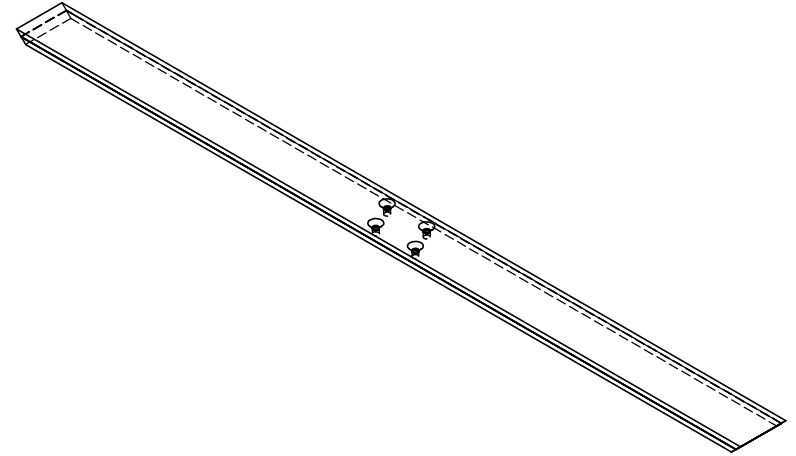
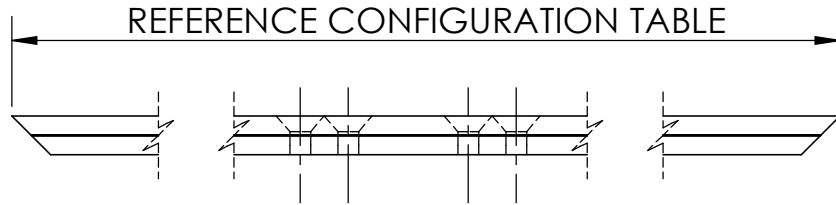
SCALE: 1:5 WEIGHT: SHEET 1 OF 3

2

1

2

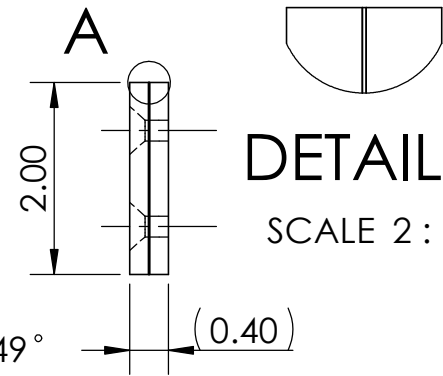
1



4X ϕ 0.22 THRU & C'SINK @49°
FOR #12 WOOD SCREW

0.01 BONDLINE
THICKNESS

(0.20)



DETAIL A
SCALE 2:1

B

B

A

A

CONFIGURATION TABLE		
SKU	LENGTH	WEIGHT (lbs)
KC-DSIS-180204-PP	18"	0.51
KC-DSIS-240204-PP	24"	0.69
KC-DSIS-320204-PP	32"	0.92
KC-DSIS-340204-PP	34"	0.98
KC-DSIS-380204-PP	38"	1.10
KC-DSIS-420204-PP	42"	1.21
KC-DSIS-480204-PP	48"	1.39



UNLESS OTHERWISE SPECIFIED:
DIMENSIONS ARE IN INCHES
TOLERANCES:
FRACTIONAL: $\pm 1/8"$
ANGULAR: $\pm 5^\circ$
TWO PLACE DECIMAL: ± 0.05
THREE PLACE DECIMAL: ± 0.005

PROPRIETARY AND CONFIDENTIAL
THE INFORMATION CONTAINED IN THIS DRAWING IS THE SOLE PROPERTY OF CF SPAN LLC. ANY REPRODUCTION IN PART OR AS A WHOLE WITHOUT THE WRITTEN PERMISSION OF CF SPAN LLC. IS PROHIBITED.

	NAME	DATE
DRAWN	SH	2/27/25
CHECKED	ER	3/6/25
ENG APPR.	DL	3/6/25
MFG APPR.		
Q.A.		
COMMENTS:		



TITLE: DOUBLE SIDED ISLAND SUPPORT BUNDLE		
SIZE A	DWG. NO. KC-DSIS-XX0204-PP	REV 1
SCALE: 1:2	WEIGHT:	SHEET 2 OF 3

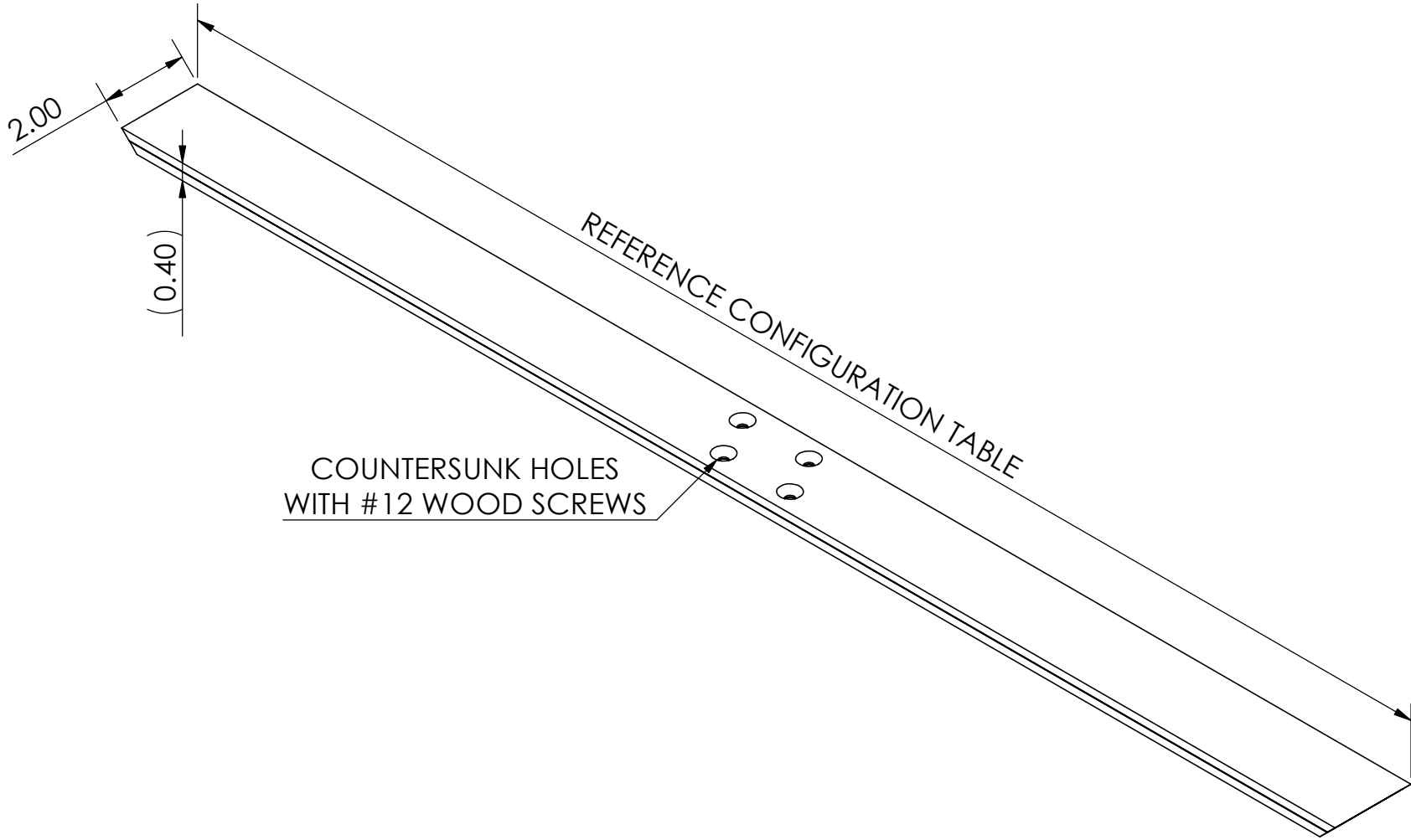
2

1

2

1

INCLUDED HARDWARE	
QTY:	DESCRIPTION
4	#12-11 X 1.5" Flat Countersunk Zn



COUNTERSUNK HOLES WITH #12 WOOD SCREWS

REFERENCE CONFIGURATION TABLE

CONFIGURATION TABLE		
SKU	LENGTH	WEIGHT (lbs)
KC-DSIS-180204-PP	18"	0.51
KC-DSIS-240204-PP	24"	0.69
KC-DSIS-320204-PP	32"	0.92
KC-DSIS-340204-PP	34"	0.98
KC-DSIS-380204-PP	38"	1.10
KC-DSIS-420204-PP	42"	1.21
KC-DSIS-480204-PP	48"	1.39



UNLESS OTHERWISE SPECIFIED:
 DIMENSIONS ARE IN INCHES
 TOLERANCES:
 FRACTIONAL: ±1/8"
 ANGULAR: ±5°
 TWO PLACE DECIMAL: ±0.05
 THREE PLACE DECIMAL: ±0.005

	NAME	DATE
DRAWN	SH	2/27/25
CHECKED	ER	3/6/25
ENG APPR.	DL	3/6/25
MFG APPR.		
Q.A.		
COMMENTS:		



TITLE: DOUBLE SIDED ISLAND SUPPORT BUNDLE		
SIZE A	DWG. NO. KC-DSIS-XX0204-PP	REV 1
SCALE: 1:3	WEIGHT:	SHEET 3 OF 3

PROPRIETARY AND CONFIDENTIAL
 THE INFORMATION CONTAINED IN THIS DRAWING IS THE SOLE PROPERTY OF CF SPAN LLC. ANY REPRODUCTION IN PART OR AS A WHOLE WITHOUT THE WRITTEN PERMISSION OF CF SPAN LLC, IS PROHIBITED.

2

1