

ITEM NO.	PART NUMBER	DESCRIPTION	QTY.
1	CFRPU BAR		1

CF SPAN
CARBON FIBER
STRUCTURAL SOLUTIONS

PROPRIETARY AND CONFIDENTIAL
THE INFORMATION CONTAINED IN THIS DRAWING IS THE SOLE PROPERTY OF CF SPAN LLC. ANY REPRODUCTION IN PART OR AS A WHOLE WITHOUT THE WRITTEN PERMISSION OF CF SPAN LLC. IS PROHIBITED.

	NAME	DATE
DRAWN	SH	2/27/25
CHECKED	ER	3/6/25
ENG APPR.	DL	3/6/25
MFG APPR.		
Q.A.		
COMMENTS:		

CF CARBON BAR™
HIGH STRENGTH - LIGHT WEIGHT

TITLE:
HIDDEN ISLAND SUPPORT BUNDLE

SIZE A	DWG. NO. KC-HIS-XX0202-PP	REV 1
------------------	------------------------------	-----------------

SCALE: 1:5 WEIGHT: SHEET 1 OF 3

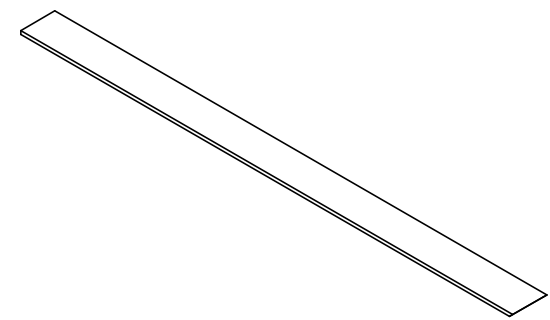
UNLESS OTHERWISE SPECIFIED:
DIMENSIONS ARE IN INCHES
TOLERANCES:
FRACTIONAL: ±1/8"
ANGULAR: ±5°
TWO PLACE DECIMAL: ±0.05
THREE PLACE DECIMAL: ±0.005

2

1

B

B



REFERENCE CONFIGURATION TABLE



2.00

A

A

CONFIGURATION TABLE		
SKU	LENGTH	WEIGHT (lbs)
KC-HIS-290202-PP	29"	0.64
KC-HIS-320202-PP	32"	0.70
KC-HIS-340202-PP	34"	0.75
KC-HIS-380202-PP	38"	0.84
KC-HIS-440202-PP	44"	0.97

SPAN CARBON FIBER
STRUCTURAL SOLUTIONS

PROPRIETARY AND CONFIDENTIAL

THE INFORMATION CONTAINED IN THIS DRAWING IS THE SOLE PROPERTY OF CF SPAN LLC. ANY REPRODUCTION IN PART OR AS A WHOLE WITHOUT THE WRITTEN PERMISSION OF CF SPAN LLC, IS PROHIBITED.

UNLESS OTHERWISE SPECIFIED:
DIMENSIONS ARE IN INCHES
TOLERANCES:
FRACTIONAL: ±1/8"
ANGULAR: ±5°
TWO PLACE DECIMAL: ±0.05
THREE PLACE DECIMAL: ±0.005

	NAME	DATE
DRAWN	SH	2/27/25
CHECKED	ER	3/6/25
ENG APPR.	DL	3/6/25
MFG APPR.		
Q.A.		

COMMENTS:

CF CARBONBAR™
HIGH STRENGTH - LIGHT WEIGHT

TITLE:
HIDDEN ISLAND SUPPORT BUNDLE

SIZE A	DWG. NO. KC-HIS-XX0202-PP	REV 1
------------------	------------------------------	-----------------

SCALE: 1:5 WEIGHT: SHEET 2 OF 3

2

1

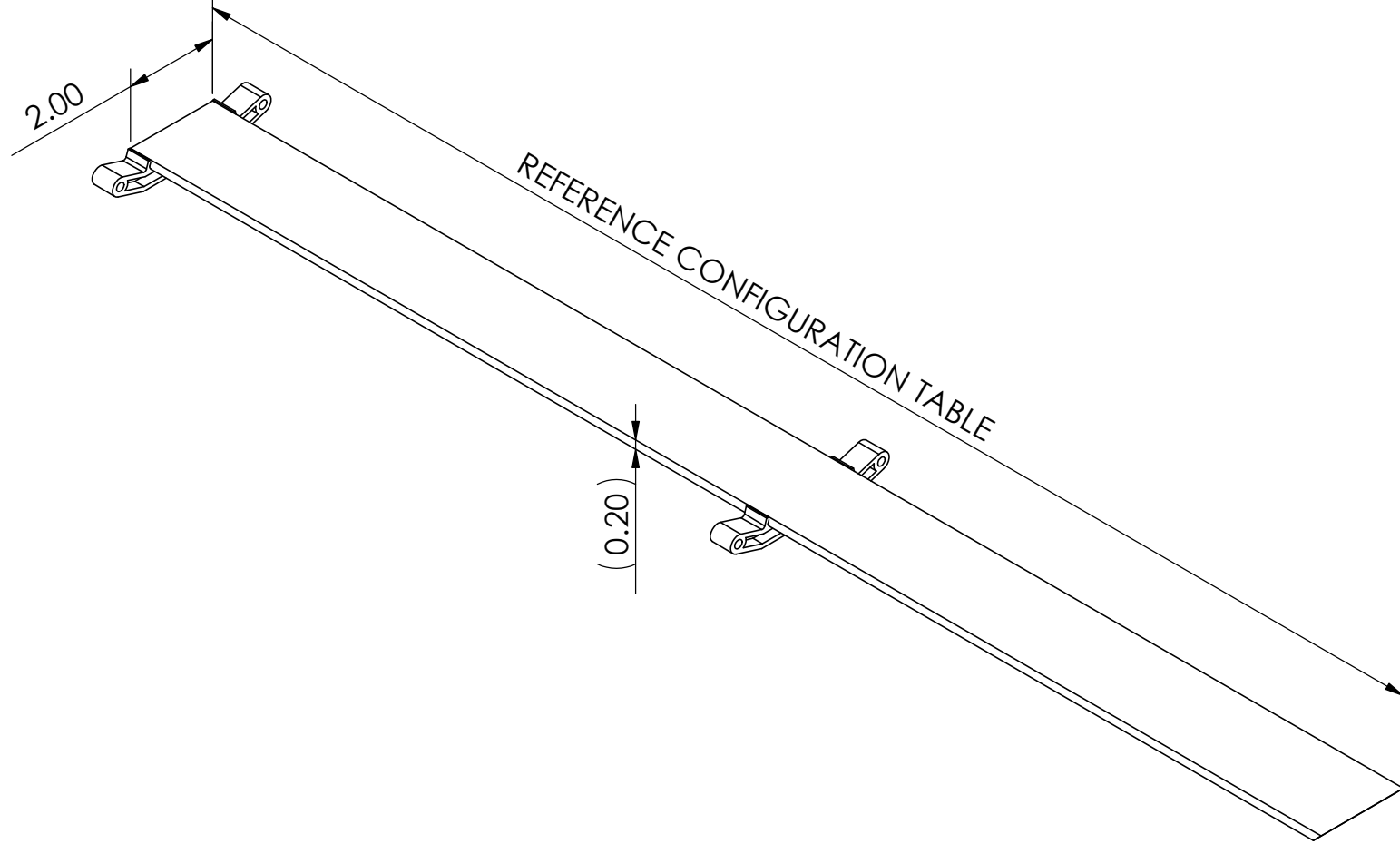
2

1

INCLUDED HARDWARE	
QTY:	DESCRIPTION
2	Direct CarbonConnect
6	#8 x 1" Round Washer Head Phillips/Square Drive Screw

B

B



A

A

CONFIGURATION TABLE		
SKU	LENGTH	WEIGHT (lbs)
KC-HIS-290202-PP	29"	0.64
KC-HIS-320202-PP	32"	0.70
KC-HIS-340202-PP	34"	0.75
KC-HIS-380202-PP	38"	0.84
KC-HIS-440202-PP	44"	0.97

SPAN CARBON FIBER
STRUCTURAL SOLUTIONS

UNLESS OTHERWISE SPECIFIED:
DIMENSIONS ARE IN INCHES
TOLERANCES:
FRACTIONAL: ±1/8"
ANGULAR: ±5°
TWO PLACE DECIMAL: ±0.05
THREE PLACE DECIMAL: ±0.005

PROPRIETARY AND CONFIDENTIAL
THE INFORMATION CONTAINED IN THIS DRAWING IS THE SOLE PROPERTY OF CF SPAN LLC. ANY REPRODUCTION IN PART OR AS A WHOLE WITHOUT THE WRITTEN PERMISSION OF CF SPAN LLC, IS PROHIBITED.

	NAME	DATE
DRAWN	SH	2/27/25
CHECKED	ER	3/6/25
ENG APPR.	DL	3/6/25
MFG APPR.		
Q.A.		
COMMENTS:		

CF CARBONBAR™
HIGH STRENGTH - LIGHT WEIGHT

TITLE:
HIDDEN ISLAND SUPPORT BUNDLE

SIZE	DWG. NO.	REV
A	KC-HIS-XX0202-PP	1

SCALE: 1:3 WEIGHT: SHEET 3 OF 3

2

1