

ITEM NO.	PART NUMBER	DESCRIPTION	QTY.	SKU	LENGTH	OVERALL LENGTH	WEIGHT (lbs)
1	0.75" Aluminum Bracket		1	BA-SSAC-15.5-NP	12"	15.5"	0.92
2	Carbon Bar 0.75"	0.75" X PLY	1	BA-SSAC-21.5-NP	18"	21.5"	1.08



UNLESS OTHERWISE SPECIFIED:
 DIMENSIONS ARE IN INCHES
 TOLERANCES:
 FRACTIONAL: ±1/8"
 ANGULAR: ±5°
 TWO PLACE DECIMAL: ±0.05
 THREE PLACE DECIMAL: ±0.005

	NAME	DATE
DRAWN	SH	2/28/25
CHECKED	ER	3/14/25
ENG APPR.		
MFG APPR.		
Q.A.		



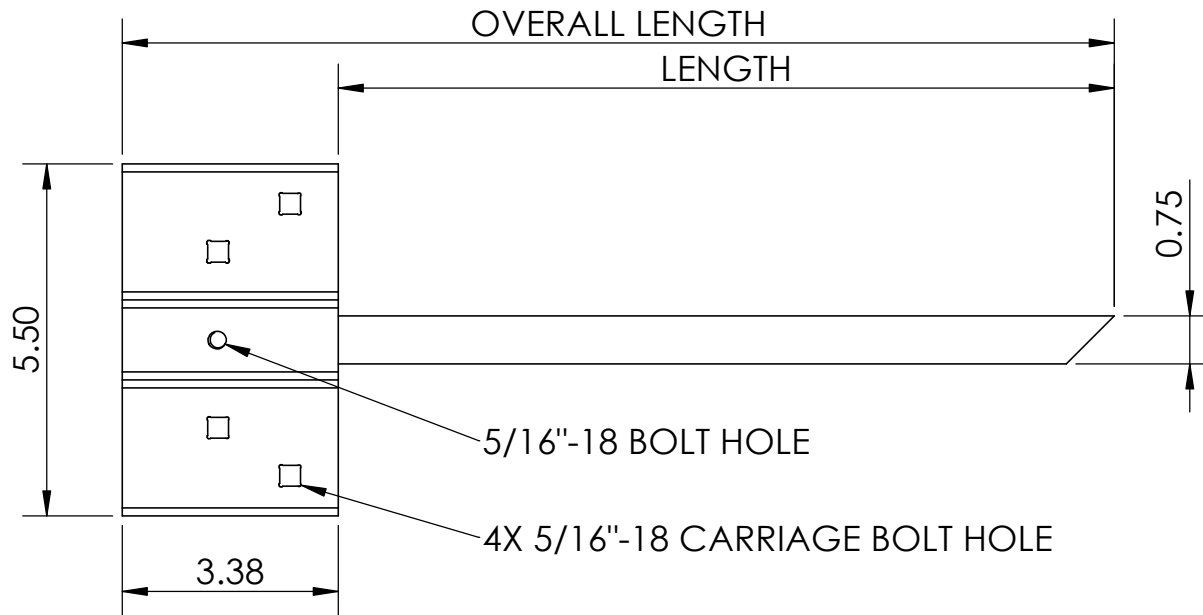
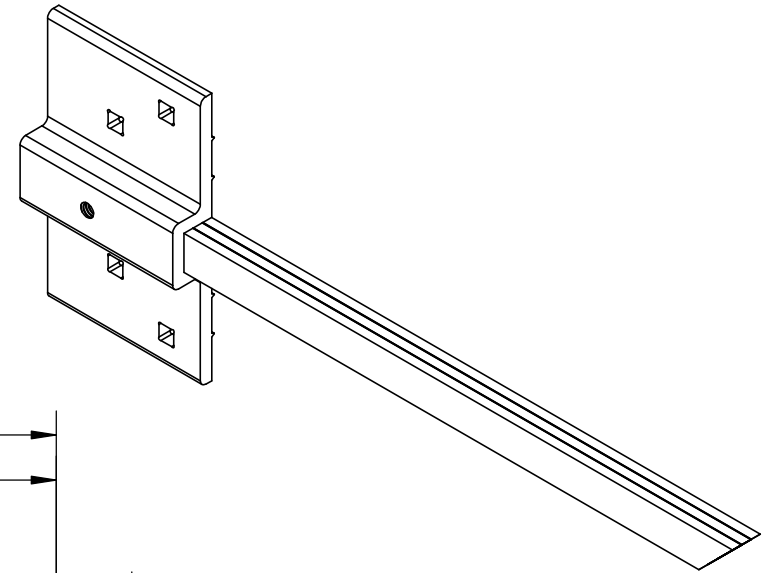
TITLE: STRAIGHT STUD WITH ALUMINUM CLIP BUNDLE
 SIZE DWG. NO. REV
A BA-SSAC-XX-NP **1**
 SCALE: 1:4 WEIGHT: SHEET 1 OF 2

PROPRIETARY AND CONFIDENTIAL
 THE INFORMATION CONTAINED IN THIS DRAWING IS THE SOLE PROPERTY OF CF SPAN LLC. ANY REPRODUCTION IN PART OR AS A WHOLE WITHOUT THE WRITTEN PERMISSION OF CF SPAN LLC. IS PROHIBITED.

2

1

INCLUDED HARDWARE	
QTY:	DESCRIPTION
4	5/16"-18 x 2.5" Carriage Bolt
4	5/16"-18 Nut
4	5/16" Washer
1	5/16"-18 x 1/2" Bolt



Rated load capacity per pair: 700 lbs.
 *Based on 0.1" deflection for 0-16" distributed load; bolted to a wood support. 5/16"-18 carriage bolts attached to stud are recommended for optimum performance.

SKU	LENGTH	OVERALL LENGTH	WEIGHT (lbs)
BA-SSAC-15.5-NP	12"	15.5"	0.92
BA-SSAC-21.5-NP	18"	21.5"	1.08

SPAN CARBON FIBER
 STRUCTURAL SOLUTIONS

PROPRIETARY AND CONFIDENTIAL

THE INFORMATION CONTAINED IN THIS DRAWING IS THE SOLE PROPERTY OF CF SPAN LLC. ANY REPRODUCTION IN PART OR AS A WHOLE WITHOUT THE WRITTEN PERMISSION OF CF SPAN LLC, IS PROHIBITED.

UNLESS OTHERWISE SPECIFIED:
 DIMENSIONS ARE IN INCHES

	NAME	DATE
DRAWN	SH	2/28/25
CHECKED	ER	3/14/25
ENG APPR.		
MFG APPR.		
Q.A.		
COMMENTS:		

CF CARBONBAR™
 HIGH STRENGTH - LIGHT WEIGHT

TITLE: STRAIGHT STUD WITH ALUMINUM CLIP BUNDLE

SIZE	DWG. NO.	REV
A	BA-SSAC-XX-NP	1

SCALE: 1:3 WEIGHT: SHEET 2 OF 2

2

1

B

B

A

A